

DA-927A DA-928A

**Twin Needle /
Three Needle Feed Off the Arm Double Chain Stitcher**

Minimum lubrication system can be realizing clean sewing.
Narrow cylinder bed feed off-the-arm double chain stitchers.
Ideal for a wide range of materials from shirts to jeans.

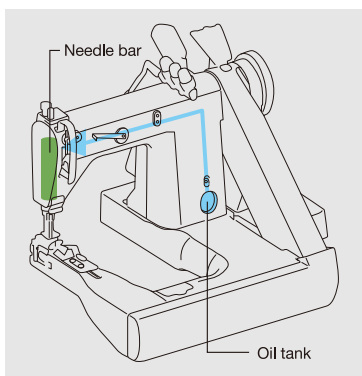
- Clean Sewing with Minimum Lubrication System
- A New Knife with Highly Safe Shape
- Beautiful Sewing Finishes with New Presser Mechanism



Quality & Clean

1 Minimum lubrication system can be realizing clean sewing

Minimum lubrication system supplies limited oil only to the needle bar and the upper shaft realizing clean sewing for your valued products.



2 A new knife with highly safe shape

Sewing work can be done safely with a new knife with highly safe shape.



3 Improved presser foot mechanism offers high quality sewing. *DA928A

Lightened presser foot mechanism prevents uneven material feeding, meeting the highest quality standard and the follow-up ability with respect to the presser foot pressure has been improved by 20%.

Specifications/

DA-927A-

	Application	No. of needles	Needle gauge
1	Light materials	2	48 4.8mm (3/16)
3	Medium materials	3	64 6.4mm (1/4)
			64 6.4mm (1/8×2)

DA-928A-

	Application	No. of needles	Needle gauge	Lapper size
5	Heavy materials	3	64 6.4mm (1/8×2)	H Heavy materials
7	Extra heavy materials			X Extra heavy materials

Model	DA-927A					DA-928A	
	-1248	-1264	-1364	-3248	-3264	-5364H	-7364X
Lubrication type	Minimum lubrication						
Application	Light materials			Medium materials		Heavy materials	Extra heavy materials
Max. sewing speed	4,000sti/min ^{*1}						
Max. stitch length	3.8mm					4.7mm	
Height of presser foot	10mm					11mm	
Needle bar stroke	30mm					35mm	
No. of needles	2-needles		3-needles	2-needles		3-needles	
Needle gauge	4.8mm(3/16)	6.4mm(1/4)	6.4mm(1/8×2)	4.8mm(3/16)	6.4mm(1/4)	6.4mm(1/8×2)	
Needle	Organ TVX64NY						
	#12			#16		#130	#140
Height of feed dog	1.0mm					1.3mm	
Weight	49kg						
Size	465mm × 500mm × 340mm						
Outer perimeter of needle drop cylinder	165mm						
Presser foot presser	39.2~78.4N(4~8kgf)					58.8~98N(6~10kgf)	

*1 If thread breakage occurred during sewing of DA-928A, please lower the speed.

Facebook



Brother GT/ISM Support App



RoHS Compliant

DA-927A, DA-928A is compliant with the RoHS Directive (the restriction of the use of certain hazardous substances in electrical and electronic equipment) which came into effect in the EU in July 2006.



Brother has established voluntary environmental standards for products and created the "Brother Green Label". DA-927A, DA-928A is certified as an environment-conscious sewing machine according to the "Brother Green Label" standard.



Brother Earth

Working with you for a better environment
www.brotherearth.com

Please read instruction manual before using the machine for safety operation.

-Product specifications are subject to change for improvement without notice.

-Photographs are for illustration purpose. They may not represent actual operating conditions and may display optional parts.

CHINA

ASIA

EUROPE AFRICA, MIDDLE EAST

AMERICAS

BROTHER MACHINERY SHANGHAI LTD.

BROTHER MACHINERY (ASIA) LTD.

BROTHER INTERNATIONALE INDUSTRIEMASCHINEN GmbH

BROTHER INTERNATIONAL CORPORATION

<https://www.brother.cn/>

<https://www.brother.com.hk/>

<https://www.brother-ism.com/>

<https://www.brother-usa.com/>

+86-21-3135-3355

+852-2777-0010

+49-2822-6090

+1-908-704-1700

brother

BROTHER INDUSTRIES, LTD.

1-5, Kitajizoyama, Noda-cho, Kariya-shi, Aichi 448-0803, Japan.

Phone: 81-566-95-0088 Fax: 81-566-25-3721 <https://industrialsewingmachine.global.brother/>

2024.01 140118892 Vol.4