

Specifications/

S-7180A-81 P

| |
|--------------------|
| Application |
| 3 Medium materials |
| 5 Heavy materials |

| S-7180A | -813P | -815P |
|-------------------------------|---|--------------|
| Max. sewing speed | 5,000sti/min | 4,000sti/min |
| Max. back tacking speed | 3,200sti/min | |
| Max. stitch length | 5mm | 5mm* |
| Thread trimmer type | Double action thread trimming mechanism | |
| Thread presser | Standard equipment | |
| Hand Switch | Standard equipment | |
| LED light | Standard equipment | |
| Electric presser foot lifter | Standard equipment | |
| Height of presser foot lifter | Knee lifter:10~15mm / Automatic presser bar lifter:12mm | |
| Needle(DB×1·DP×5) | #11-#18 | #19-#22 |
| Height of feed dog | 0.9mm | 1.2mm |
| Motor | AC servo motor | |
| Weight | 37kg | |
| Power | Single-phase:200~240V Max. electric power consumption 400VA | |

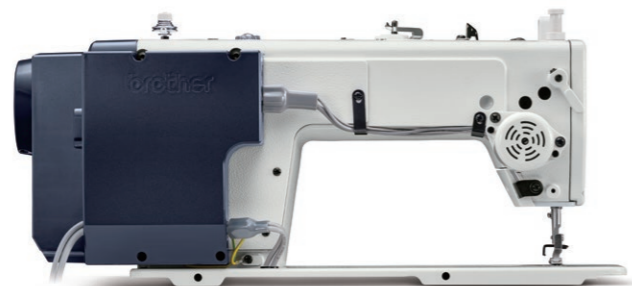
* If you need 7mm specification, please contact our sales representative.

S-7180A

Single Needle Direct Drive Straight Lock Stitcher with Thread Trimmer, Electric Feeding System and Presser Foot Lifter

With direct drive motor, electric presser foot lifter and stitch length control, this machine offers beautiful sewing quality and high productivity.

- New Electric Feed System
- Short remaining thread (3.5mm)
- Electric Presser Foot Lifter
- Sealed oil tank equipped



Advance & Convenience

Support application



Facebook



Working with you for a better environment
www.brotherearth.com

Please read instruction manual before using the machine for safety operation.
-Product specifications are subject to change for improvement without notice.
-Photographs are for illustration purpose. They may not represent actual operating conditions and may display optional parts.

| | | | |
|--------------|--|---|------------------|
| CHINA | BROTHER MACHINERY SHANGHAI LTD. | https://www.brother.cn/ | +86-21-3135-3355 |
| ASIA | BROTHER MACHINERY (ASIA) LTD. | https://www.brother.com.hk/ | +852-2777-0010 |



BROTHER INDUSTRIES, LTD.

1-5, Kitajizoyama, Noda-cho, Kariya-shi, Aichi 448-0803, Japan.
Phone: 81-566-95-0088 Fax: 81-566-25-3721 <https://industrialsewingmachine.global.brother/>

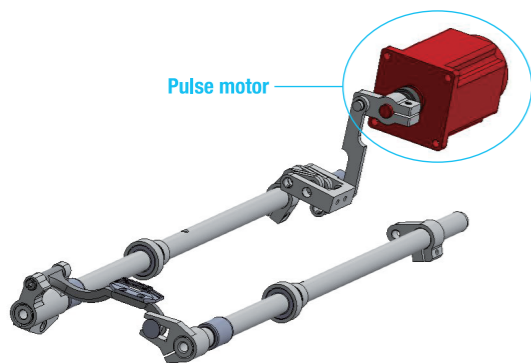
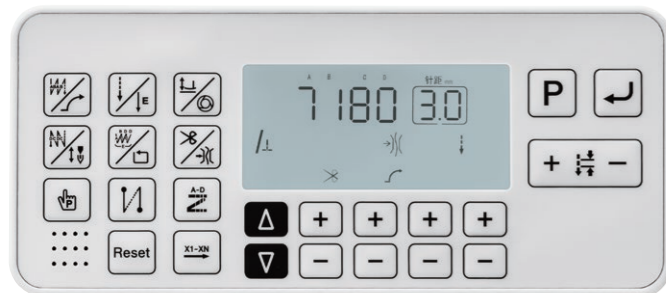
2021.07 11071599Z Vol.3

Advance & Convenience

With direct drive motor, electric presser foot lifter and stitch length control, this machine offers beautiful sewing quality and high productivity.

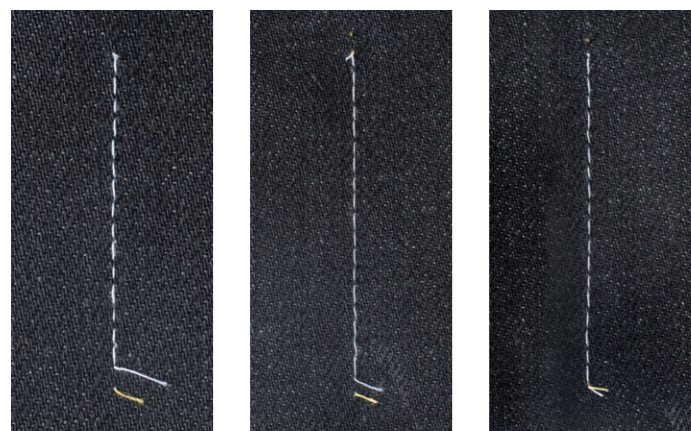
1 New Electric Feed System

Equipped with pulse motor. It is possible to set the stitch length as a numerical value with this panel which has easy-to-understand key layout.



2 Short remaining thread, (3.5mm) doesn't require after-cutting process

The double action thread trimming mechanism cuts the thread right under the needle hole, realizing the short remaining thread at minimum of 3.5mm. In addition, using the beautiful mode to enhances the beautiful sewing end.



Conventional

S-7180A Standard

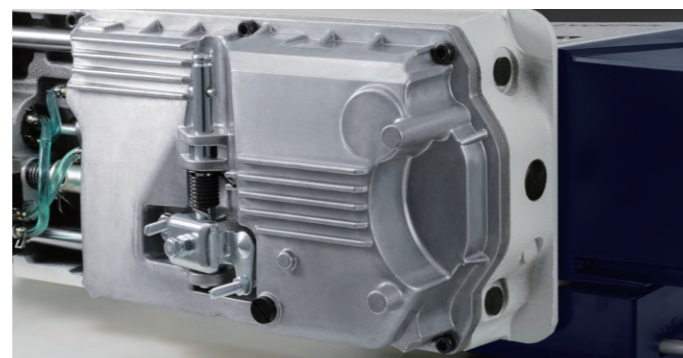
S-7180A Beautiful mode

3 Electric Presser Foot Lifter

It increases productivity and it reduces the sound compared with mechanical pressure.

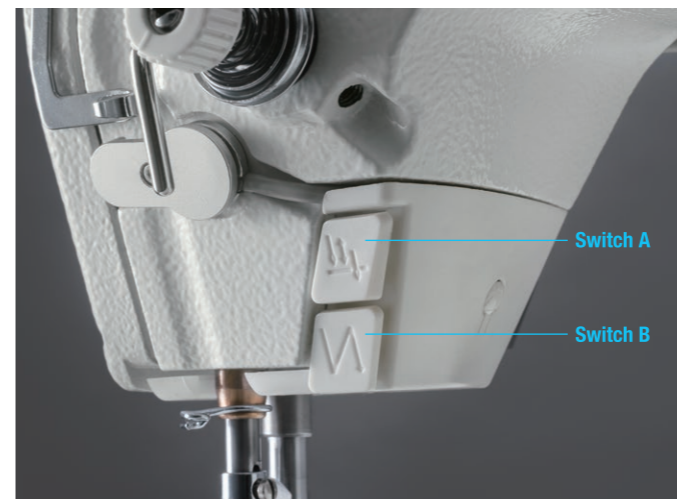
4 Sealed Oil Tank Equipped

The sealed tank is equipped same as S-7250A.



5 Easy reverse sewing operation with hand switch

Useful functions are easily carried out with the 2 hand switches. You can assign the function to each switch with various combinations, and it enables your operator to use the machine efficiently.



6 LED Light Equipped as Standard

Handy LED lights are equipped at the both side of the needle as a standard for better operation, and it prevents shadows on the garment.

