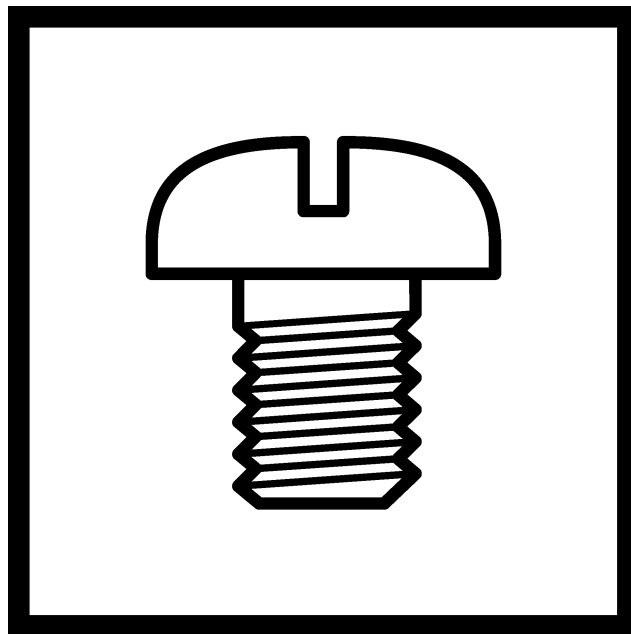


SL-777B

单针带刀平缝机

SINGLE NEEDLE STRAIGHT LOCK STITCHER WITH SIDE CUTTER

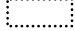


brother[®]

最新的零部件情报请参考(Parts Navigation)。
The latest parts information, refer to the Parts Navigation.

<http://partsbook.brother.co.jp/partsnavi/chn/>
<http://partsbook.brother.co.jp/partsnavi/eng/>

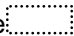
零件手册的使用说明

1. 本手册是根据截止至2005年6月的资料为基准而编制的。
2. 零部件设计若有变动，恕不另行通知。
3. 以组件为单位供应的部件用 框出。

目 录

A. 机体部分	1
B. 针杆·挑线杆装置	3
C. 压脚装置	5
D. 送布装置	7
E. 膝控提升装置	11
F. 切刀装置	13
G. 旋梭装置	15
H. 供油润滑装置	17
J. 穿线装置	19
Z. 附件	21
Wa. 警告标签	25
Ga. 工模具一览表	26
索引	27

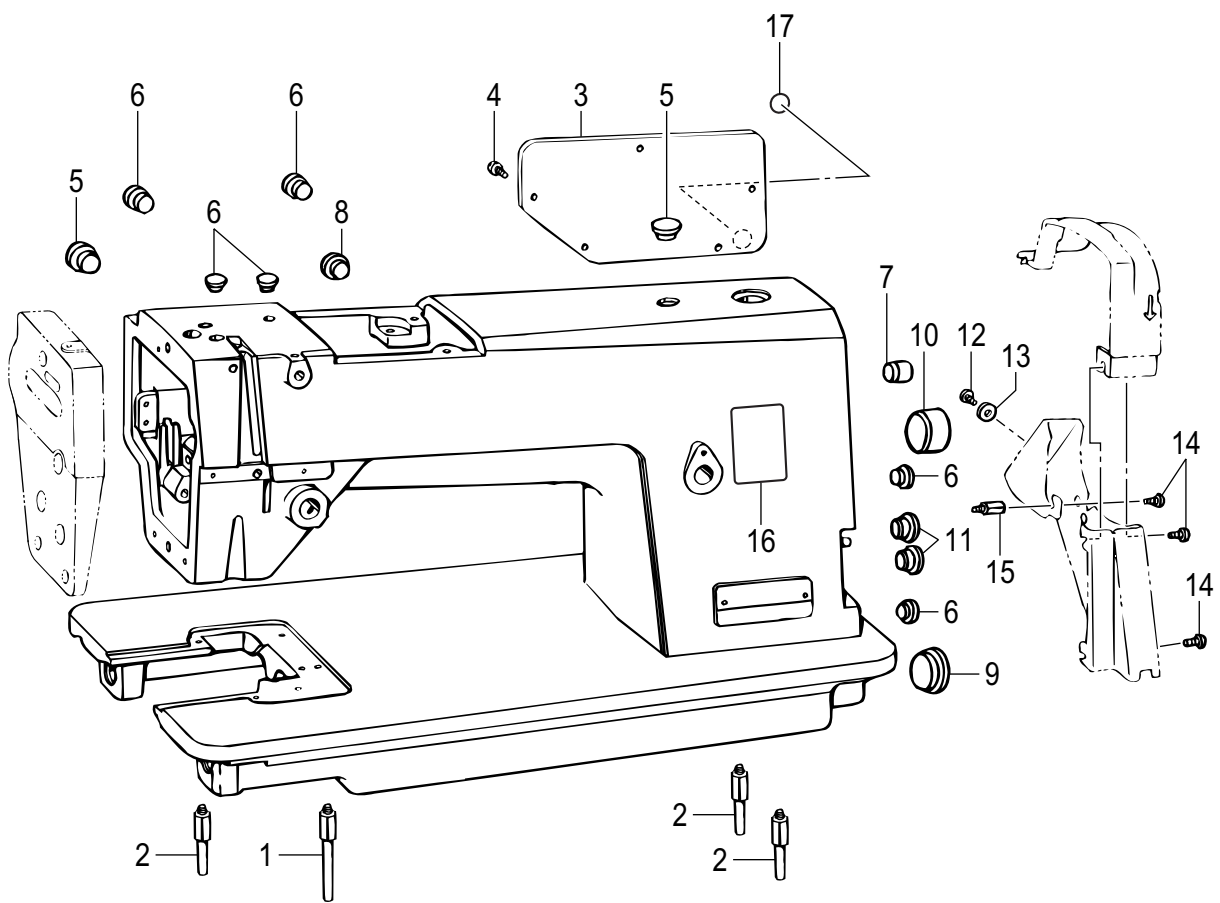
Notes for using this parts book

1. This book was prepared based on information available in June 2005.
2. Parts are subject to changes in design without prior notice.
3. Parts supplied as complete assemblies are circled by a dotted line .

CONTENTS

A. Machine body	1
B. Needle bar and thread take-up mechanism	3
C. Presser foot mechanism	5
D. Feed mechanism	7
E. Knee lifter mechanism	11
F. Knife mechanism	13
G. Rotary hook mechanism	15
H. Lubrication	17
J. Threading mechanism	19
Z. Accessories	21
Wa. Warning labels	25
Ga. Gauge parts list	26
Index	27

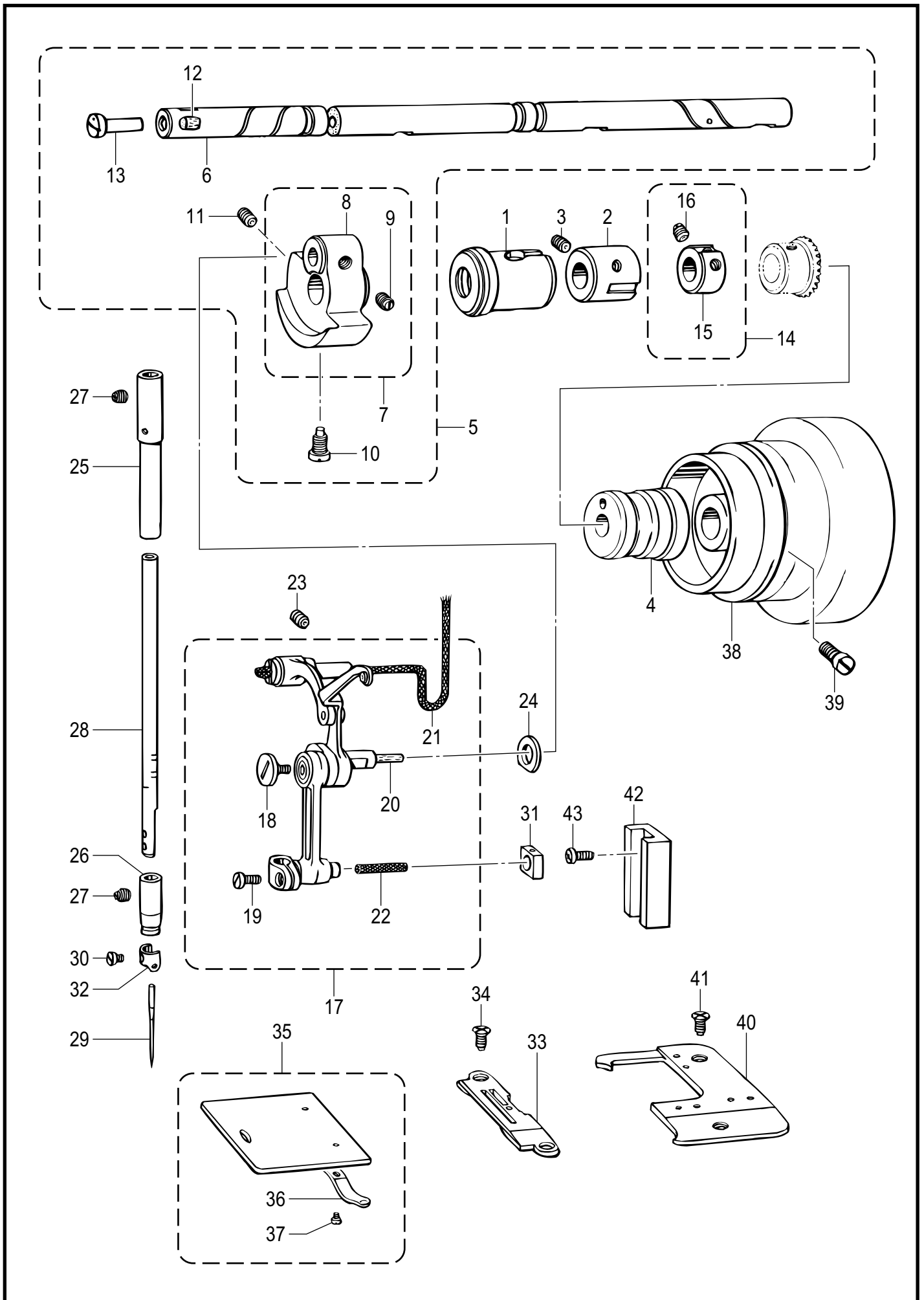
A . 机体部分 / Machine body



A. 机体部分 / Machine body

参照号	零部件序号	数量	零部件名称	NAME OF PARTS	RM
1	104829121	1	机壳长支撑杆	BED LEG, L	
2	104830121	3	机壳短支撑杆	BED LEG, S	
3	S03247009	1	后盖板	REAR COVER	
4	062681012	5	螺钉 SM4.37-40X10	SCREW PAN SM4.37-40X10	
5	104449001	2	橡皮塞 15.5	RUBBER CAP, 15.5	
6	104450101	6	橡皮塞 8	RUBBER CAP, 8	
7	104832001	1	橡皮塞 10.7	RUBBER CAP, 10.7	
8	104821001	1	橡皮塞 10.5	RUBBER CAP, 10.5	
9	108520001	1	橡皮塞 19.8	RUBBER CAP, 19.8	
10	104451101	1	橡皮塞 23.9	RUBBER CAP, 23.9	
11	104450101	2	橡皮塞 8	RUBBER CAP, 8	
12	062680812	1	螺钉 SM4.37-40X8	SCREW PAN SM4.37-40X8	
13	100645003	1	垫圈	WASHER	
14	062760812	3	螺钉 SM5.95-28X8	SCREW PAN SM5.95-28X8	
15	157969021	1	螺柱	STUD	
16	SA2040001	1	<用于中国以外> 操作注意标签(日 / 英)	<Except for China> LABEL, CAUTION JPN/ENG	
16	SA2041001	1	<用于中国> 操作注意标签(中 / 英)	<For China only> LABEL, CAUTION CHN/ENG	
17	S37060021	1	接地标记	LABEL, GROUNDING	

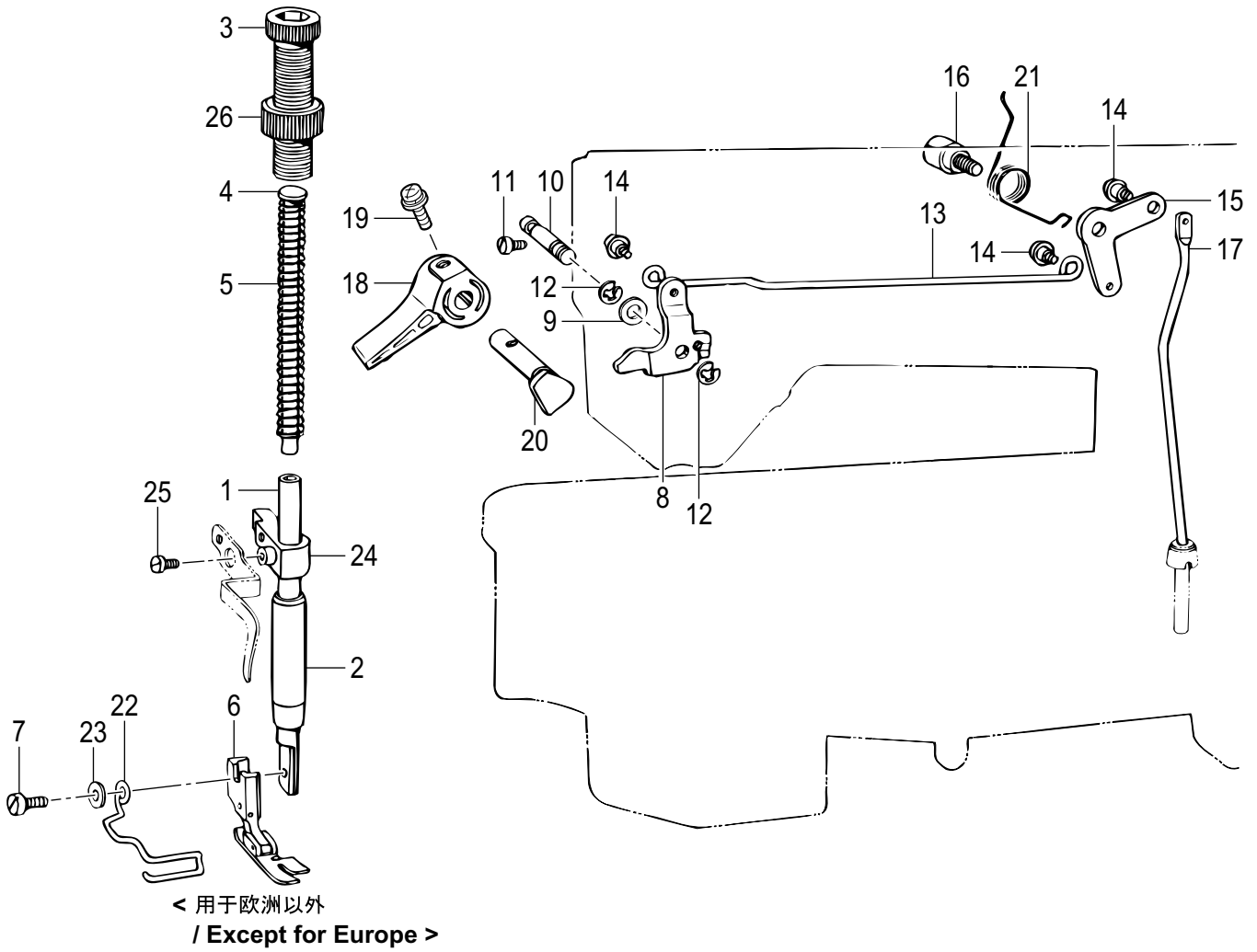
B. 针杆·挑线杆装置 / Needle bar and thread take-up mechanism



B. 针杆 · 挑线杆装置 / Needle bar and thread take-up mechanism

参照号	零部件序号	数量	零部件名称	NAME OF PARTS	RM
1	S02805001	1	上轴轴套 L	UPPER SHAFT BUSH, L	
2	140726020	1	上轴中轴套 M	UPPER SHAFT BUSH, M	
3	013760610	1	固定螺钉 SM5.95	SET SCREW (CP) SM5.95-28X6	
4	146331021	1	上轴右轴套 R	UPPER SHAFT BUSH, R	
5	SA6559001	1	上轴组件	UPPER SHAFT ASSY	
6	S43394021	1	上轴	UPPER SHAFT	
7	S02525001	1	挑线曲柄组件	THREAD TAKE-UP CRANK ASSY	
8	S02526000	1	挑线曲柄	THREAD TAKE-UP CRANK	
9	100251001	2	螺钉 SM6.35-40X6.5	SET SCREW, (CP) SM6.35-40X6.5	
10	104464001	1	螺钉 SM7.14-28	SCREW, SM7.14-28	
11	014771032	1	固定螺钉 SM6.35-40X10	SET SCREW SOCKET SM6.35-40X10	
12	146327001	1	上轴左油毡 7X10	FELT, 7X10	
13	146333021	1	上轴左油塞	OIL REGULATING VALVE	
14	181916121	1	紧圈组件	SET SCREW COLLAR ASSY	
15	147763121	1	上轴紧圈	SET SCREW COLLAR	
16	100251001	2	螺钉 SM6.35-40X6.5	SET SCREW, (CP) SM6.35-40X6.5	
17	S10566021	1	针杆连杆组件	NEEDLE BAR CONNECTING ROD ASSY	
18	145465001	1	螺钉 SM3.57-40X6L	SCREW, SM3.57-40X6 L	
19	140004001	1	螺钉 SM3.57-40X7	SCREW, SM3.57-40X7	
20	145624000	1	油毡	FELT	
21	112738000	1	油线 L=400	WICK, L=400	
22	158727001	1	油线 4X4	WICK, 4X4 L=27	
23	013761412	1	固定螺钉 SM5.95-28X14	SET SCREW (CP) SM5.95-28X14	
24	110367001	1	垫圈 8	WASHER, PLAIN SPECIAL 8	
25	S10582001	1	针杆轴套 U	NEEDLE BAR BUSH, U	
26	147326021	1	针杆轴套 D	NEEDLE BAR BUSH, D :-5	
27	100289003	2	固定螺钉 SM5.95	SET SCREW, SM5.95	
28	S10567001	1	针杆	NEEDLE BAR	
29	100265031	1	<用于欧洲以外> 机针 DBX1 (#11)	<Except for Europe> NEEDLE DBX1	
29	100265034	1	<用于欧洲> 机针 DBX1 (#14)	<For Europe only> NEEDLE DBX1	
30	140553102	1	固定螺钉 SM3.18	SET SCREW, SM3.18	
31	102630021	1	针杆接头滑块	NEEDLE BAR GUIDE SLIDE BLOCK	
32	156220001	1	针杆线导向	THREAD GUIDE, NEEDLE BAR	
33	* P. 26	1	针板	NEEDLE PLATE	
34	151267001	2	螺钉 SM4.37-40X8	SCREW, FLAT SM4.37-40X8	
35	180018151	1	推板组件	SLIDE PLATE ASSY	
36	114561001	1	推板簧	SPRING, PLATE	
37	122771051	2	螺钉 SM2.38	SCREW, SM2.38	
38	145471129	1	手轮	PULLEY	
39	S33689002	2	固定螺钉 SM5.95-28X14	SET SCREW, (CP) SM5.95-28X14	
40	S10575001	1	辅助针板	AUXILIARY NEEDLE PLATE	
41	151267001	2	螺钉 SM4.37-40X8	SCREW, FLAT SM4.37-40X8	
42	145688000	1	针杆导向	NEEDLE BAR GUIDE	
43	062670612	2	螺钉 SM3.57-40X6	SCREW PAN SM3.57-40X6	

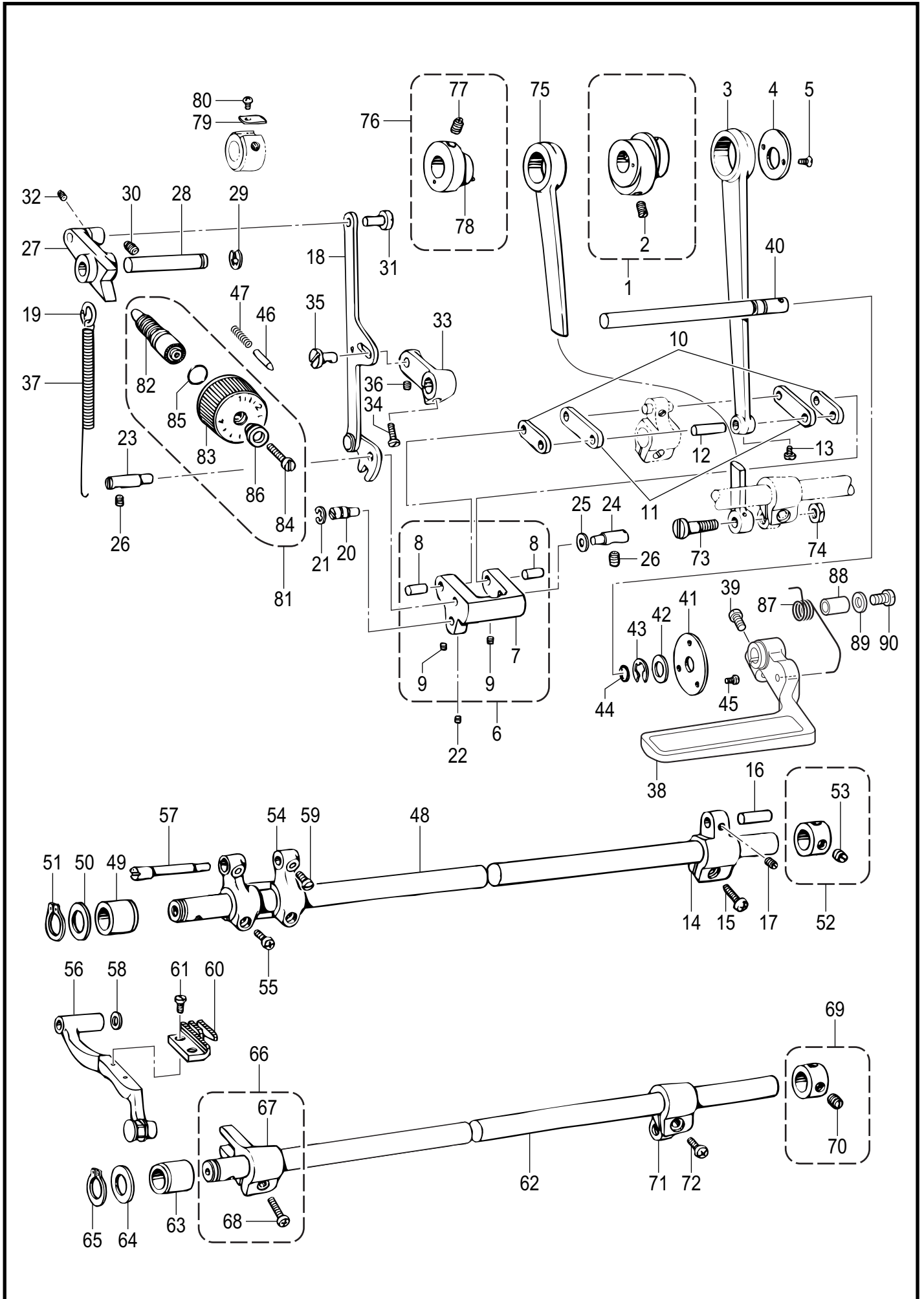
C . 压脚装置 / Presser foot mechanism



C. 压脚装置 / Presser foot mechanism

参照号	零部件序号	数量	零部件名称	NAME OF PARTS	RM
1	111466121	1	压紧杆	PRESSER BAR	
2	145472021	1	压紧杆轴套	PRESSER BAR BUSH	
3	S31012021	1	调压螺钉	PRESSER ADJUSTING SCREW	
4	141208021	1	弹簧导杆	SPRING GUIDE	
5	147514001	1	压杆弹簧	PRESSER BAR SPRING	
6	* P. 26	1	压脚组件	PRESSER FOOT ASSY	
7	S13385001	1	螺钉 SM3.57-40X10	SCREW, SM3.57-40X10	
8	S01020022	1	膝控提升左杠杆	PRESSER BAR LIFTER LEVER	
9	109763022	1	垫圈	WASHER	
10	159998121	1	膝控提升左杠杆销	PRESSER BAR LIFTER SHAFT	
11	S01998001	1	螺钉 SM3.57-40X6	SET SCREW, SM3.57-40X6	
12	048040342	2	挡圈 E4	RETAINING RING E4	
13	145476021	1	膝控提升拉杆	KNEE LIFTER CONNECTING ROD	
14	145478101	3	段螺钉 SM4.76	SHOULDER SCREW, SOCKET SM4.76	
15	145479022	1	膝控提升杠杆	KNEE LIFTER LEVER	
16	S31010021	1	螺拴 SM6.35	SHOULDER SCREW, SM6.35	
17	145481021	1	膝控提升连杆	KNEE LIFTER BAR	
18	S31006021	1	抬压脚扳手	LIFTING LEVER	
19	S39051001	1	螺钉(带垫圈) M3.5X12	SCREW, PAN (S/P W) M3.5X12	
20	S31952021	1	压紧杆扳手曲柄	PRESSER BAR LIFTER CRANK	
21	154347001	1	弹簧	SPRING	
22	150384101	1	<用于欧洲以外> 护指器	<Except for Europe> FINGER GUARD	
23	025350132	1	平垫圈 S3.5	WASHER PLAIN S 3.5	
24	S10581001	1	压杆抱箍	PRESSER BAR GUIDE BRACKET	
25	145992001	1	固定螺钉 SM4.37	SET SCREW, SM4.37	
26	S31013021	1	调压锁紧螺母	PRESSER ADJUSTING NUT	

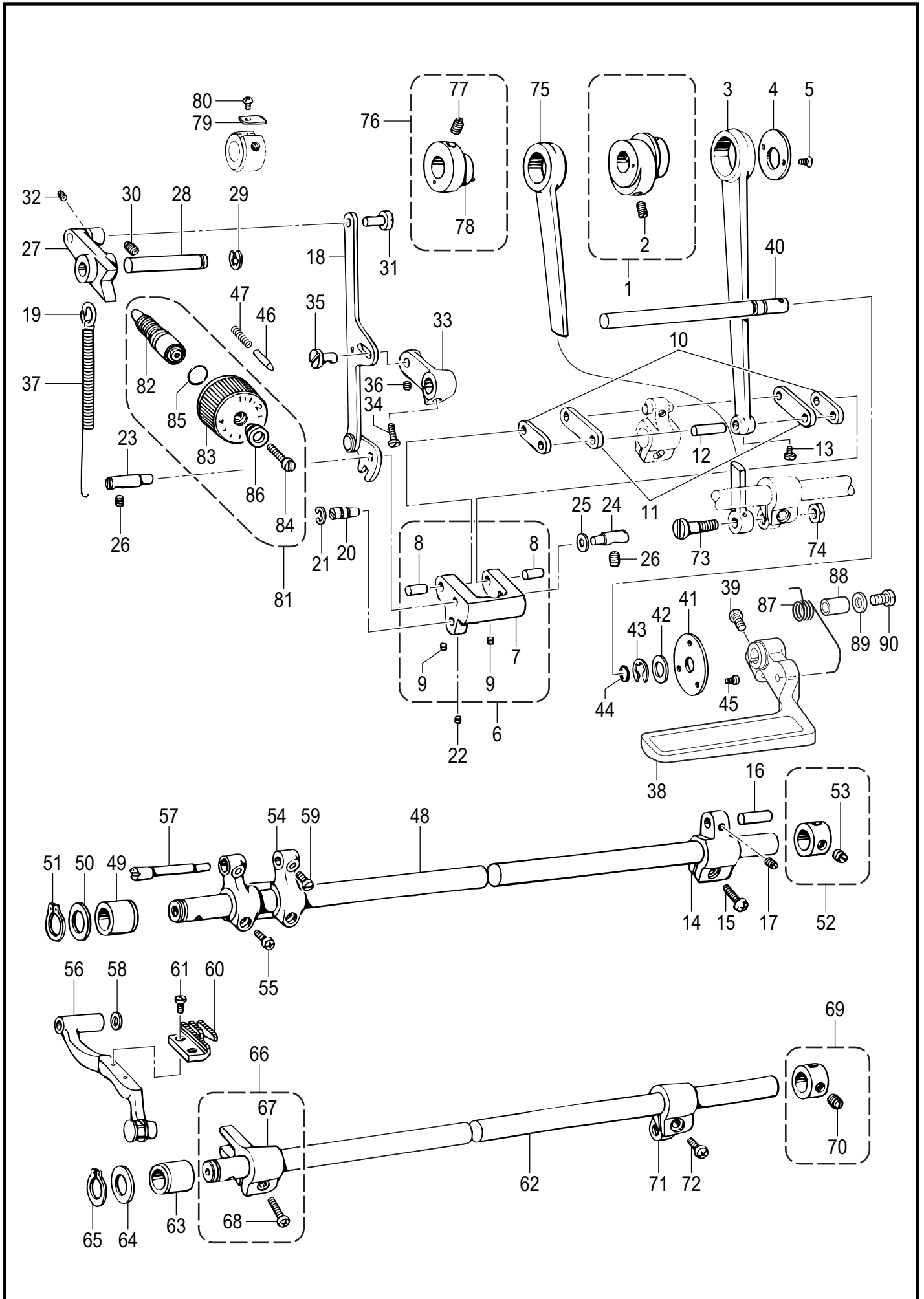
D. 送布装置 / Feed mechanism



D. 送布装置 / Feed mechanism

参照号	零部件序号	数量	零部件名称	NAME OF PARTS	RM
1	S02552021	1	送布凸轮配件	L-FEED ECCENT. WHEEL, W/SCREW	
2	013761410	2	固定螺钉 SM5.95-28X14	SET SCREW (CP) SM5.95-28X14	
3	156949021	1	送布连杆	LEVEL FEED CONNECTING ROD	
4	156948021	1	送布连杆挡圈	HOLDER	
5	S55431001	2	螺钉 M3.57-40X5	SCREW, FLAT M3.57-40X5	
6	S05898121	1	针距调节组件	LEVEL FEED REGULATOR ASSY	
7	156950220	1	针距调节器	LEVEL FEED REGULATOR	
8	156951021	2	曲柄连杆短销	FEED LINK STUD	
9	014680632	2	螺钉 SM4.37-40X6	SET SCREW SOCKET SM4.37-40X6	
10	156952021	1	曲柄短连杆组件	FEED ROCKER LINK ASSY	
11	156954021	1	曲柄长连杆组件	FEED ROCKER ARM LINK ASSY	
12	156956021	1	曲柄长连杆销	LINK SHAFT	
13	144458001	1	螺钉 SM3.57-40X4.5	SET SCREW, SM3.57-40X4.5	
14	156957120	1	送布曲柄	FEED ROCKER ARM	
15	062711212	1	螺钉 SM4.76-32X12	SCREW PAN SM4.76-32X12	
16	156958021	1	送布曲柄销	FEED ROCK ARM SHAFT	
17	S47265001	1	固定螺钉 SM4.37-40X6	SET SCREW, SOCKET (CP) SM4.37	
18	S40027021	1	针距连杆组件	F-REGULATOR CONNECT. ROD ASSY	
19	S04228001	1	针距座拉簧环	SPRING HOOK	
20	156966121	1	偏心销	PIN	
21	048060342	1	挡圈 E6	RETAINING RING E6	
22	S47265001	1	固定螺钉 SM4.37-40X6	SET SCREW, SOCKET (CP) SM4.37	
23	156967121	1	针距调节轴 L	FEED REGULATOR SHAFT, L	
24	118734021	1	针距调节器短轴	FEED REGULATOR SHAFT	
25	118735021	1	垫圈	WASHER	
26	014760632	2	螺钉 SM5.95-28X6	SET SCREW SOCKET SM5.95-28X6	
27	156969121	1	针距座	FEED REGULATOR	
28	156970021	1	针距座铰链轴	FEED REGULATOR SHAFT	
29	048070342	1	挡圈 E7	RETAINING RING E7	
30	014761030	1	螺钉 SM5.95-28X10	SET SCREW SOCKET SM5.95-28X10	
31	151308121	1	连杆轴 12.5	STUD, 12.5	
32	S47264001	1	固定螺钉 SM4.37-40X4	SET SCREW, SOCKET (CP) SM4.37	
33	S40029120	1	曲柄	LEVER	
34	062711412	1	螺钉 SM4.76-32X14	SCREW PAN SM4.76-32X14	
35	151308121	1	连杆轴 12.5	STUD, 12.5	
36	S47264001	1	固定螺钉 SM4.37-40X4	SET SCREW, SOCKET (CP) SM4.37	
37	S02558201	1	拉簧	EXTENSION SPRING	
38	S04226009	1	倒缝手柄	REVERSE STITCHING LEVER	
39	062711412	1	螺钉 SM4.76-32X14	SCREW PAN SM4.76-32X14	
40	147505101	1	倒缝扳手轴	SHAFT, R-LEVER	
41	147504221	1	挡圈	SPACER	
42	025100132	1	平垫圈 S10	WASHER PLAIN S 10	
43	048080342	1	挡圈 E8	RETAINING RING E8	
44	104564001	1	O型密封圈	O RING	
45	062670712	3	螺钉 SM3.57-40X7	SCREW PAN SM3.57-40X7	
46	145502021	1	定位销	POSITIONING PIN	
47	100328001	1	止动销弹簧	NOTCH SPRING	
48	S02568121	1	送布轴	FEED ROCKER SHAFT	
49	S31014020	1	轴套 19.3	BUSH 19.3	
50	224485000	1	圈 2X15X22ST	RING, 2X15X22ST	
51	048150142	1	轴用挡圈 C15	RETAINING RING EXTERNAL C15	
52	183493021	1	送布轴紧圈组件	F-SHAFT SET SCREW COLLAR ASSY	
53	101706001	2	螺钉 SM6.35-40X5.5	SET SCREW 6.35	
54	156244020	1	牙架曲柄	FEED ROCKER BRACKET ARM	
55	062681212	2	螺钉 SM4.37-40X12	SCREW PAN SM4.37-40X12	
56	S02569121	1	牙架组件	FEED BAR ASSY	
57	S25349021	1	牙架曲柄偏心轴	FEED BAR STUD	
58	158722021	1	垫圈 4.2	WASHER, PLAIN 4.2	
59	120990001	2	螺钉 SM4.37-40X8	SET SCREW, (CP) SM4.37-40X8	
60	* P. 26	1	送布牙	FEED DOG	

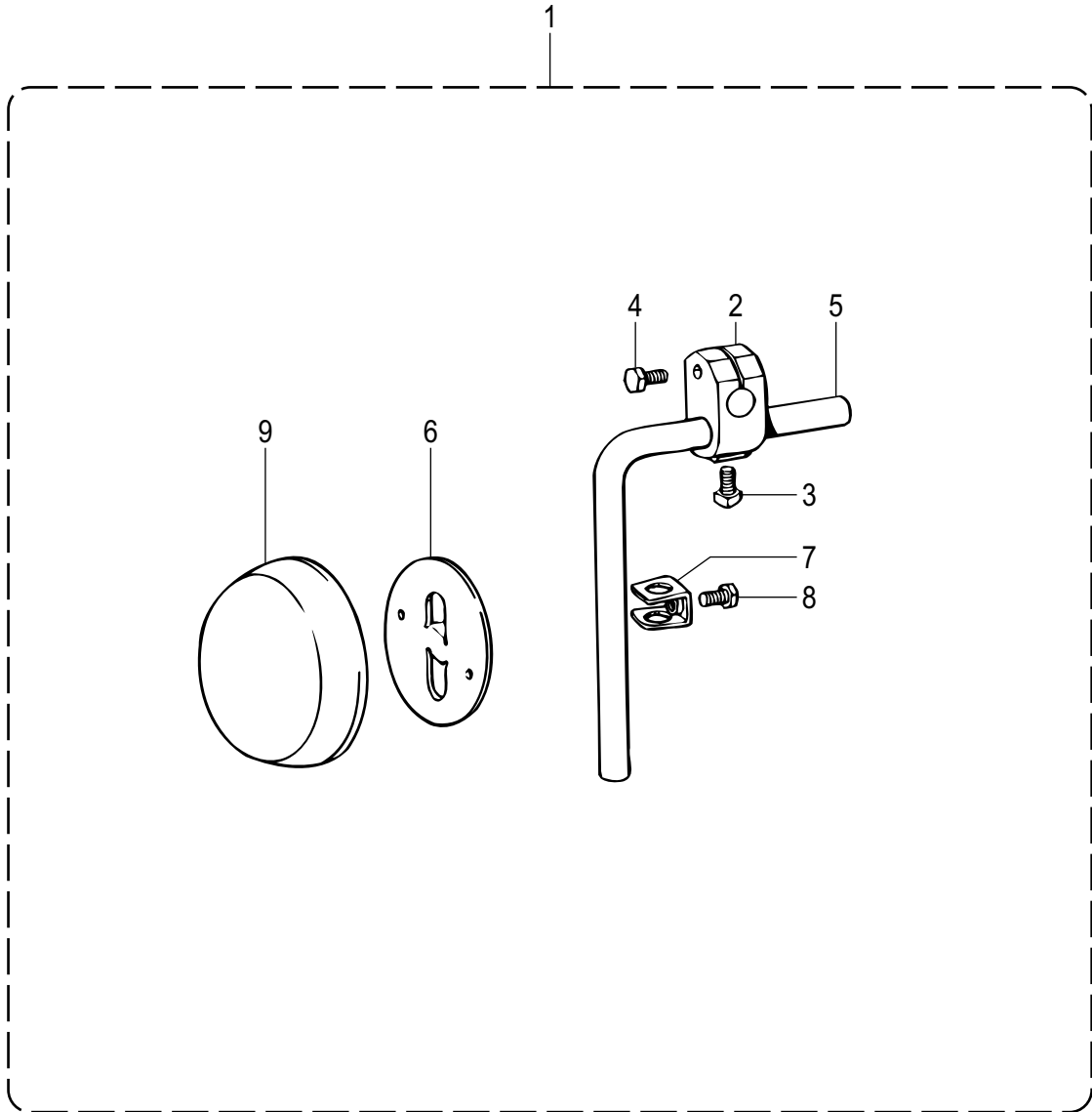
D. 送布装置 / Feed mechanism



D. 送布装置 / Feed mechanism

参照号	零部件序号	数量	零部件名称	NAME OF PARTS	RM
61	100080003	2	螺钉 SM3.18-44X6.5	SCREW, SM3.18-44X6.5	
62	S02574101	1	抬牙轴	FEED LIFTING ROCKER SHAFT	
63	S31014020	1	轴套 19.3	BUSH 19.3	
64	224485000	1	圈 2X15X22ST	RING, 2X15X22ST	
65	048150142	1	轴用挡圈 C15	RETAINING RING EXTERNAL C15	
66	180322021	1	抬压叉组件	FEED LIFTING ARM ASSY	
67	118217021	1	抬牙叉	FEED LIFTING ROCK SHAFT CRANK	
68	062681412	1	螺钉 SM4.37-40X14	SCREW PAN SM4.37-40X14	
69	183493021	1	送布轴紧圈组件	F-SHAFT SET SCREW COLLAR ASSY	
70	S09212021	1	紧圈	SET SCREW COLLAR	
71	S02575020	1	抬牙曲柄	F-LIFTING ROCK SHAFT CRANK	
72	062711212	1	螺钉 SM4.76-32X12	SCREW PAN SM4.76-32X12	
73	147509021	1	螺钉 SM7.14	SHOULDER SCREW, SM7.14	
74	104689002	1	螺母 SM7.14	NUT 7.14	
75	118758021	1	抬牙连杆	CONNECTING ROD, V-FEEDING	
76	S02576021	1	抬牙凸轮组件	ECCENTRIC WHEEL W/SCREW	
77	151604001	2	螺钉 SM5.95	SET SCREW, SM5.95	
78	047200642	1	弹簧销 AW2	PIN SPRING ROLL AW2	
79	159690021	1	上轴紧圈挡板	FEED CAM STOPPER	
80	062670412	1	螺钉 SM3.57-40X4	SCREW PAN SM3.57-40X4	
81	S31015021	1	针距标盘组件	STITCH LENGTH DIAL ASSY	
82	S06999021	1	针距调节螺杆	ADJUSTING SCREW	
83	S31016001	1	针距标盘	STITCH LENGTH DIAL, 4	
84	S21514121	1	螺钉 SM4.76	SCREW, SM4.76	
85	108549001	1	O形圈	O RING	
86	142746022	1	针距标盘套	FEED REGULATING SUPPORTER	
87	S01676121	1	手柄归位弹簧	EXTENSION SPRING	
88	151317021	1	管套	COLLAR	
89	025060332	1	平垫圈 L6	WASHER PLAIN L 6	
90	062782512	1	螺钉 SM6.35-28X25	SCREW PAN SM6.35-28X25	

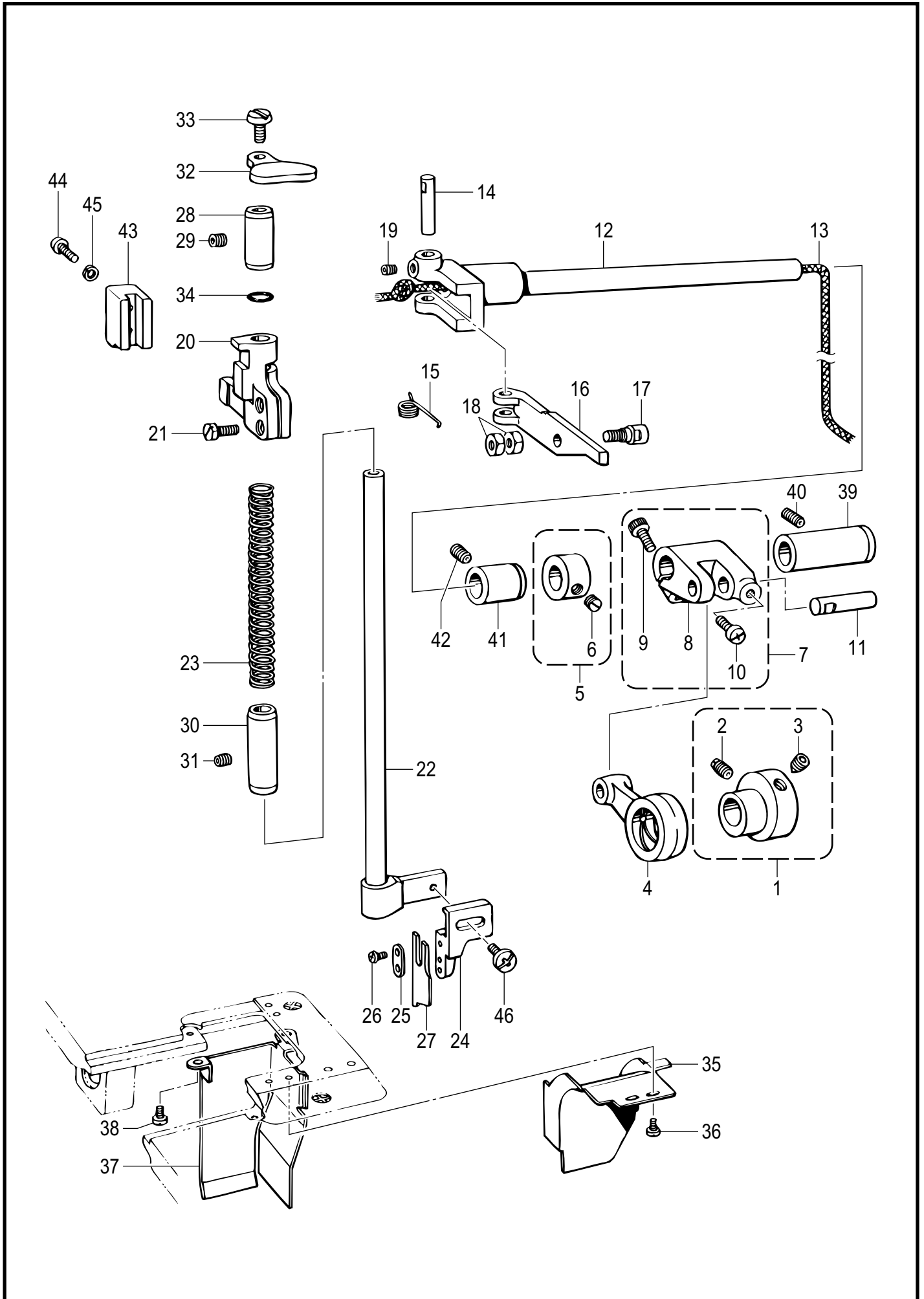
E . 膝控提升装置 / Knee lifter mechanism



E. 膝控提升装置 / Knee lifter mechanism

参照号	零部件序号	数量	零部件名称	NAME OF PARTS	RM
1	S35821021	1	膝控碰块组件	KNEE LIFTER ASSY	
2	146039021	1	碰块弯杆接头	KNEE LIFTER BRACKET	
3	100463001	1	四角型螺栓 SM7.94	BOLT, SQUARE SM7.94	
4	S35820021	1	螺栓 SM5.95X20	BOLT, SM5.95-28X20	
5	104619022	1	膝控碰块弯杆	KNEE LIFTER BAR	
6	S34756021	1	膝控碰块	KNEE LIFTER PLATE	
7	114967021	1	碰块架	KNEE LIFTER PLATE STOPPER	
8	110087021	1	螺栓 SM5.95-28X8	BOLT, SM5.95-28X8	
9	S31885001	1	膝控碰块垫	KNEE LIFTER PLATE COVER	

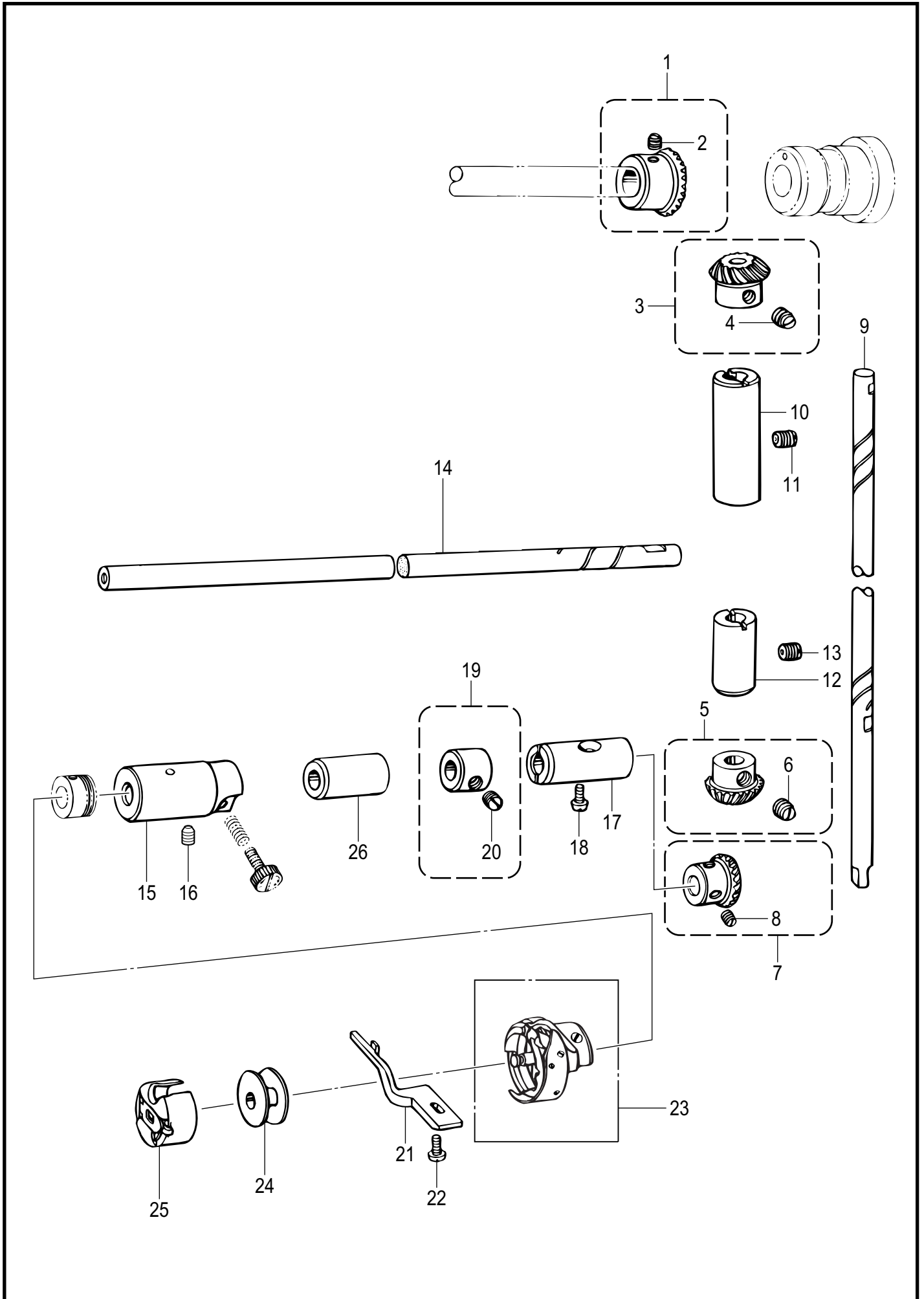
F . 切刀装置 / Knife mechanism



F. 切刀装置 / Knife mechanism

参照号	零部件序号	数量	零部件名称	NAME OF PARTS	RM
1	S10586001	1	偏心轮带螺钉	KNIFE ECCENTRIC WHEEL, W/SCREW	
2	151604001	1	螺钉 SM5.95	SET SCREW, SM5.95	
3	118853001	1	螺钉 SM5.95	SET SCREW, SOCKET SM5.95	
4	S10587000	1	摇摆连杆	ROCK CONNECTING ROD	
5	S10588001	1	紧圈组件	SET SCREW COLLAR ASSY	
6	100260001	2	螺钉 SM5.95-28X4	SET SCREW, SM5.95-28X4	
7	S10589001	1	摇臂组件	ROCK ARM ASSY	
8	S10590001	1	摇臂	ROCK ARM	
9	S07959001	1	螺钉 SM4.76-32X14	BOLT, SOCKET SM4.76-32X14	
10	062711012	1	螺钉 SM4.76-32X10	SCREW PAN SM4.76-32X10	
11	S10591001	1	摇臂销	PIN	
12	S10593001	1	摇摆轴	ROCK SHAFT	
13	113784000	1	油线 L=270	WICK, L=270	
14	S10594001	1	支撑销	PIN	
15	S10595001	1	压簧	SPRING	
16	S10597001	1	离合器板	CLUTCH BRACKET	
17	S10598001	1	销	PIN	
18	021750302	2	螺母 SM5.56-32	NUT 3 SM5.56-32	
19	014680432	1	螺钉 SM4.37-40X4	SET SCREW SOCKET SM4.37-40X4	
20	S10600001	1	切刀轴导向	KNIFE SHAFT GUIDE	
21	154574001	2	螺栓 SM4.37	BOLT, SM4.37	
22	S10601001	1	切刀轴	KNIFE SHAFT	
23	S10602001	1	弹簧	SPRING	
24	S10603001	1	刀架	KNIFE HOLDER	
25	S10604001	1	垫圈	KNIFE WASHER	
26	060660604	2	螺钉 SM3.18-40X6	SCREW BIND SM3.18-40X6	
27	S10605201	1	上刀	UPPER KNIFE	
28	S10606001	1	刀轴轴套 U	KNIFE SHAFT BUSH, U	
29	100260001	1	螺钉 SM5.95-28X4	SET SCREW, SM5.95-28X4	
30	S10607001	1	刀轴轴套 D	KNIFE SHAFT BUSH, D	
31	100260001	1	螺钉 SM5.95-28X4	SET SCREW, SM5.95-28X4	
32	S10608001	1	上切刀复合件手柄	UPPER KNIFE SET LEVER	
33	S10634001	1	螺钉 SM7.14-28X12	SCREW SM7.14-28X12	
34	081009070	1	O形圈 P9	O RING P9	
35	* P. 26	1	碎布屑导向	MATERIAL GUIDE	
36	105288001	2	螺钉 SM2.38	SCREW, SM2.38	
37	S10610001	1	碎布屑盖	SEWING SCRAPS COVER	
38	100242003	2	螺钉 SM3.57-40X5	SCREW, SM3.57-40X5	
39	S10615001	1	摇动轴套 R	ROCK SHAFT BUSH, R	
40	100289003	1	固定螺钉 SM5.95	SET SCREW, SM5.95	
41	S16252001	1	摇动轴套 L	ROCK SHAFT BUSH, L	
42	100289003	1	固定螺钉 SM5.95	SET SCREW, SM5.95	
43	S10617001	1	刀轴导向	KNIFE SHAFT GUIDE	
44	062671412	2	螺钉 SM3.57-40X14	SCREW PAN SM3.57-40X14	
45	028350242	2	弹簧垫圈 2-3.5	WASHER SPRING 2-3.5	
46	060710712	1	螺钉 SM4.76-32X7	SCREW, BIND SM4.76-32X7	

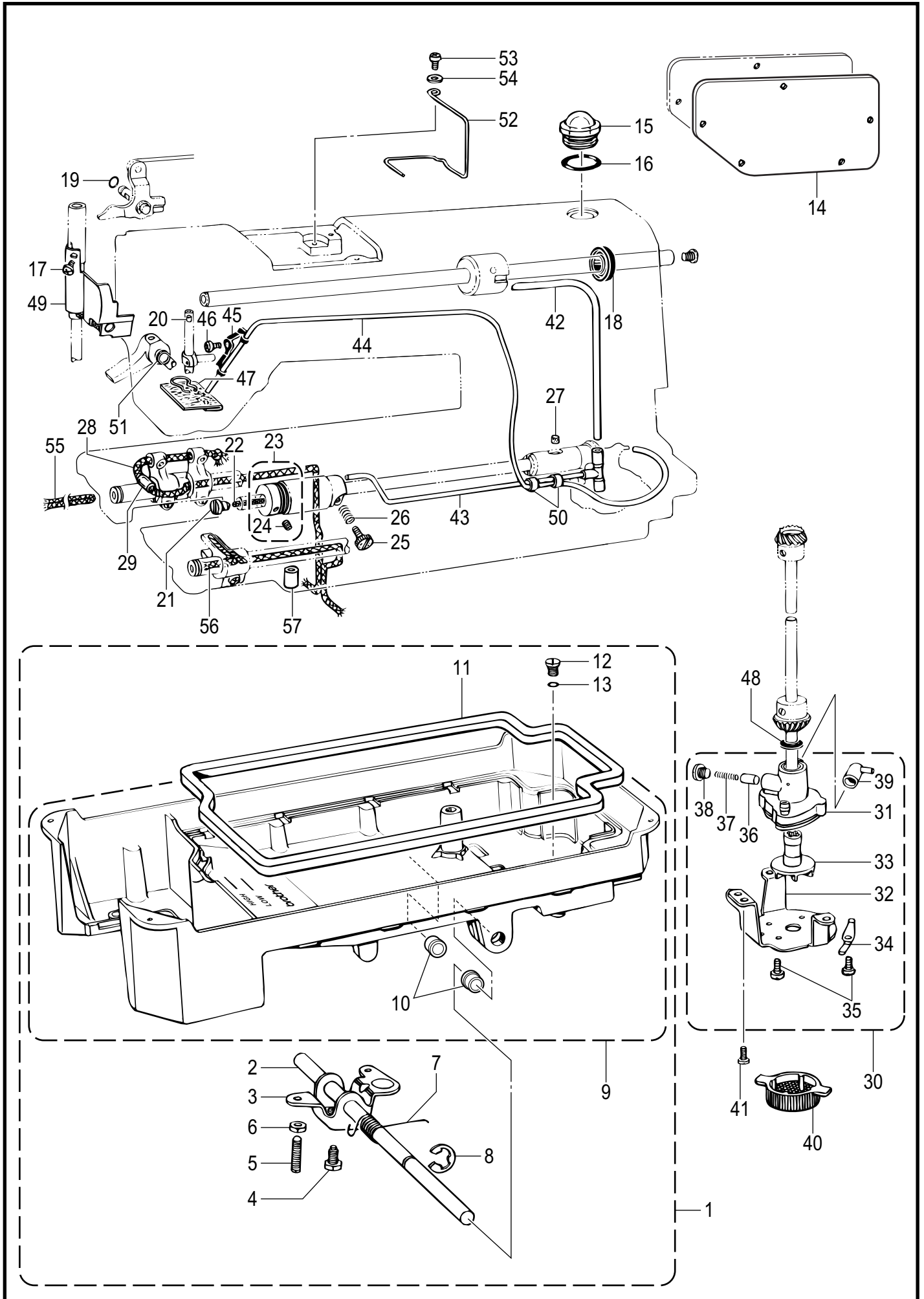
G . 旋梭装置 / Rotary hook mechanism



G. 旋梭装置 / Rotary hook mechanism

参照号	零部件序号	数量	零部件名称	NAME OF PARTS	RM
1	180891021	1	上轴斜齿轮组件	UPPER SHAFT BEVEL GEAR ASSY	
2	100251021	2	螺钉 SM6.35-40X6.5	SET SCREW, (CP) SM6.35-40X6.5	
3	180892021	1	竖轴伞齿轮组件 U	VERTICAL BEVEL GEAR ASSY, U	
4	100251021	2	螺钉 SM6.35-40X6.5	SET SCREW, (CP) SM6.35-40X6.5	
5	180885021	1	竖轴伞齿轮组件 D	VERTICAL BEVEL GEAR ASSY, D	
6	100251021	2	螺钉 SM6.35-40X6.5	SET SCREW, (CP) SM6.35-40X6.5	
7	180886021	1	下轴斜齿轮组件	LOWER SHAFT BEVEL GEAR ASSY	
8	100251021	2	螺钉 SM6.35-40X6.5	SET SCREW, (CP) SM6.35-40X6.5	
9	145516021	1	竖轴	VERTICAL SHAFT	
10	142708020	1	竖轴上轴套	VERTICAL SHAFT BUSH, U	
11	013760610	1	固定螺钉 SM5.95	SET SCREW (CP) SM5.95-28X6	
12	S31026020	1	竖轴下轴套	VERTICAL SHAFT BUSH, D	
13	013761410	1	固定螺钉 SM5.95-28X14	SET SCREW (CP) SM5.95-28X14	
14	S10633001	1	下轴	LOWER SHAFT	
15	118761021	1	下轴左轴套	LOWER SHAFT BUSH, L	
16	014680632	1	螺钉 SM4.37-40X6	SET SCREW SOCKET SM4.37-40X6	
17	104520020	1	下轴右轴套	LOWER SHAFT BUSH, R	
18	121007001	1	螺钉 SM4.37	SCREW	
19	181995021	1	紧圈组件	SET SCREW COLLAR ASSY	
20	101706001	2	螺钉 SM6.35-40X5.5	SET SCREW 6.35	
21	100367001	1	旋梭定位钩	HOOK STOPPER	
22	107407003	1	螺钉 SM4.37X9	SCREW, SM4.37X9	
23	SA1706001	1	159907 旋梭盒组件	ROTARY HOOK ASSY, W/BOX 159907	
24	S06573001	1	梭心套组件	BOBBIN CASE ASSEMBLY	
25	146290021	1	梭芯	BOBBIN	
26	S31027020	1	下轴中轴套	LOWER SHAFT BUSH, M	

H. 供油润滑装置 / Lubrication

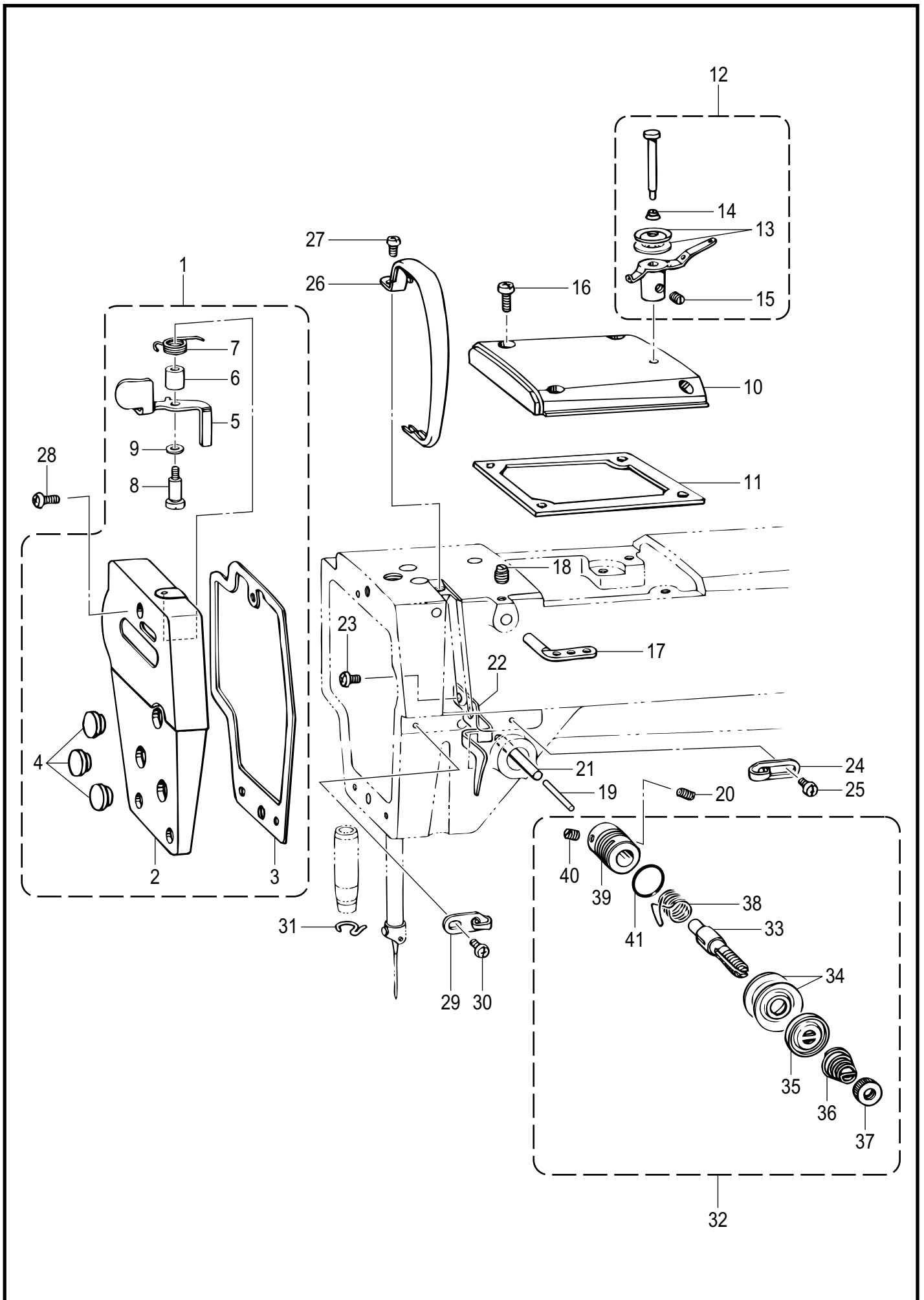


SL-777B-350

H. 供油润滑装置 / Lubrication

参照号	零部件序号	数量	零部件名称	NAME OF PARTS	RM
1	183528121	1	油盘组件	OIL PAN ASSY	
2	146036121	1	膝控横轴	KNEE LIFTER SHAFT	
3	S09635021	1	膝控限位架	KNEE LIFTER	
4	146367021	1	螺钉 SM5.95	BOLT, SM5.95	
5	104885121	2	螺钉 SM5.95-28X24	SET SCREW, SM5.95-28X24	
6	100022004	2	螺母 SM5.95	NUT, SM5.95	
7	S15889021	1	复位弹簧	TWIST SPRING	
8	146293001	1	挡圈 E10	RETAINING RING, E10	
9	156308301	1	油盘	OIL PAN	
10	149578000	2	轴套	BUSH	
11	146040001	1	油盘密封垫	PACKING	
12	140518021	1	螺钉 SM7.94X10	SCREW, SM7.94X10	
13	081007070	1	O形圈 P7	O RING P7	
14	S03249000	1	后盖板垫片	REAR COVER PACKING	
15	S02606020	1	油窗	OIL GAUGE WINDOW	
16	081014670	1	O形圈 PW14	O RING PW14	
17	412046004	1	螺钉 SM3.18-40X3	+SCREW 3.18X3	
18	101487000	1	油封	OIL SEAL	
19	081001670	1	O形圈 PW1	O RING PW1	
20	S04630000	1	针杆软木塞	NEEDLE BAR CORK	
21	109173101	1	油孔螺钉 SM4.37-40	OIL HOLE CAP SCREW, SM4.37-40	
22	106436001	1	滤油毡 (L=30)	FELT	
23	S06684021	1	下轴防油圈配件	OIL REJECTOR ASSY	
24	014680432	2	螺钉 SM4.37-40X4	SET SCREW SOCKET SM4.37-40X4	
25	145534001	1	调节螺钉 SM4.37-40X19	ADJUSTING SCREW, SM4.37-40X19	
26	116794001	1	调节弹簧	SPRING, COMPRESSION	
27	107155001	1	油毡	FELT	
28	S40017000	1	油线 L=360	WICK, L=360	
29	S40016001	1	油管 2X25	OIL TUBE, 2X25	
30	183850101	1	油泵组件	PUMP BODY ASSY	
31	S32348001	1	油泵体	PUMP BODY	
32	144869102	1	油泵支架	PUMP LEG	
33	148849001	1	油泵叶轮	PUMP PROPELLER	
34	144874001	2	弹簧板	SPRING	
35	062670812	4	螺钉 SM3.57-40X8	SCREW PAN SM3.57-40X8	
36	144875001	1	柱塞	PLUNGER	
37	144876001	1	柱塞弹簧	SPRING, COMPRESSION	
38	112467002	1	螺钉 SM6.35X5	SCREW, SM6.35X5	
39	144878001	1	回油嘴 B	OIL TUBE JOINT, B	
40	144872121	1	油泵滤油盖	PUMP FILTER	
41	062680812	3	螺钉 SM4.37-40X8	SCREW PAN SM4.37-40X8	
42	S03592020	1	上输油管	OIL TUBE, U	
43	S32349001	1	输油管组件 D	OIL TUBE ASSY, D	
44	145543021	1	回油管组件	TUBE ASSY	
45	145547021	1	回油管管托	TUBE HOLDER	
46	062670616	1	螺钉 SM3.57-40X6	SCREW PAN SM3.57-40X6	
47	145737021	1	滤油毡压簧	FELT SUPPORT	
48	146196001	1	油封	OIL STOPPER	
49	S10619001	1	隔油板组件	OIL STOPPER PLATE ASSY	
50	146253000	2	油线古定圈	TUBE	
51	081004070	1	O形圈 P4	O RING P4	
52	S10621001	1	油线支架	WICK SUPPORT	
53	062670612	1	螺钉 SM3.57-40X6	SCREW PAN SM3.57-40X6	
54	102707002	1	垫圈 4	WASHER	
55	S43669000	1	油线 8 L=320	WICK, 8 L=320	
56	S08003000	1	油线 L=380	WICK, L=380	
57	S08004021	1	油线夹	WICK SUPPORT	

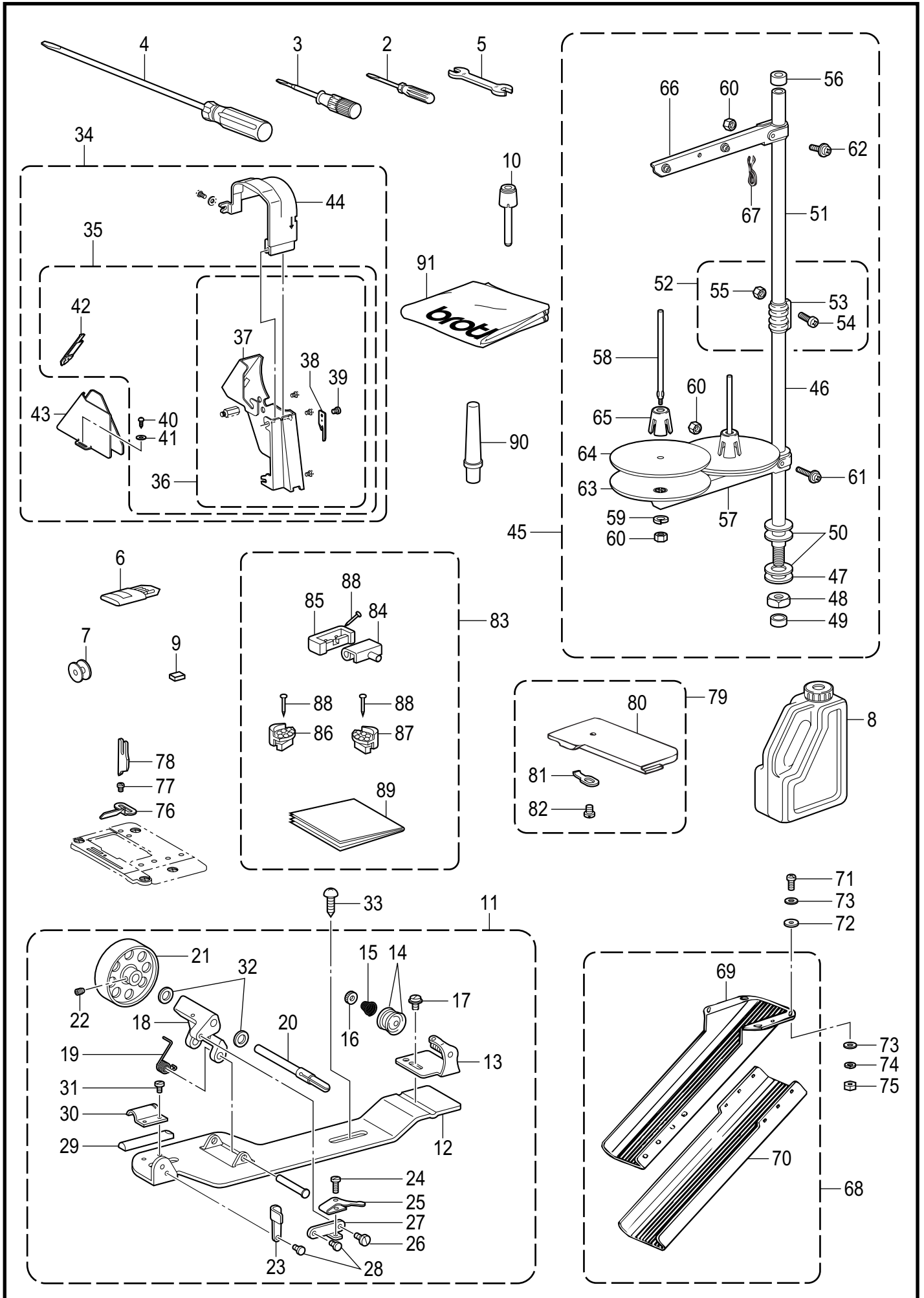
J. 穿线装置 / Threading mechanism



J. 穿线装置 / Threading mechanism

参照号	零部件序号	数量	零部件名称	NAME OF PARTS	RM
1	S10626009	1	主板组件	FACE PLATE ASSY	
2	S10624009	1	主板	FACE PLATE	
3	S10618000	1	主板垫片	PACKING	
4	104449001	3	橡皮塞 15.5	RUBBER CAP, 15.5	
5	S10611001	1	解除手柄	CLEAR LEVER	
6	S10612001	1	轴套	COLLAR	
7	S10613001	1	弹簧	SPRING	
8	148764001	1	段螺钉 SM4.76	SHOULDER SCREW, SM4.76	
9	153138001	1	垫圈 6.5	WASHER, PLAIN 6.5	
10	S10623009	1	上盖	TOP COVER	
11	S10622000	1	上盖垫片	TOP COVER PACKING	
12	144502001	1	小夹线组件	PRE-TENSION ASSY	
13	144504001	2	导向盘	THREAD GUIDE DISC	
14	144505000	1	弹簧	THREAD GUIDE SPRING	
15	102716004	1	固定螺钉 SM4.37	SET SCREW, SM4.37	
16	062670812	4	螺钉 SM3.57-40X8	SCREW PAN SM3.57-40X8	
17	114931001	1	三眼挂线钩	THREAD GUIDEPLATE	
18	014680632	1	螺钉 SM4.37-40X6	SET SCREW SOCKET SM4.37-40X6	
19	100400020	1	松线销	TENSION RELEASE PIN	
20	S55976001	1	固定螺钉 SM5.95	SET SCREW, SM5.95	
21	145526021	1	松线杆	TENSION RELEASE STUD	
22	S10625001	1	压杆抱箍线导向	THREAD GUIDE	
23	062680812	1	螺钉 SM4.37-40X8	SCREW PAN SM4.37-40X8	
24	145522101	1	机壳线勾 R	ARM THREAD GUIDE, R	
25	S19056001	1	螺钉 SM3.57-40X6	SCREW, BIND SM3.57-40X6	
26	S58910001	1	挑线杆罩	THREAD TAKE-UP COVER	
27	062680812	1	螺钉 SM4.37-40X8	SCREW PAN SM4.37-40X8	
28	062671212	3	螺钉 SM3.57-40X12	SCREW PAN SM3.57-40X12	
29	S02617001	1	面板线钩	FACE PLATE THREAD GUIDE	
30	060670612	1	螺钉 SM3.57-40X6	SCREW BIND SM3.57-40X6	
31	100573001	1	针杆线钩	THREAD GUIDE, D	
32	S56257101	1	夹线器大组件	THREAD TENSION BRACKET ASSY	
33	116922001	1	夹线螺杆	TENSION STUD	
34	145446001	2	夹线盘	DISC, TENSION	
35	159805001	1	夹线压盘	TENSION DISC PRESSER	
36	104525101	1	夹线弹簧	TENSION SPRING	
37	100136001	1	夹线螺母	TENSION NUT	
38	145519201	1	挑线弹簧	THREAD TAKE-UP SPRING	
39	S56254001	1	夹线器基座	THREAD TENTION BRACKET	
40	100402004	1	固定螺钉 SM3.57	SET SCREW, SM3.57	
41	114294001	1	O形密封圈	O-RING	

Z . 附件 / Accessories

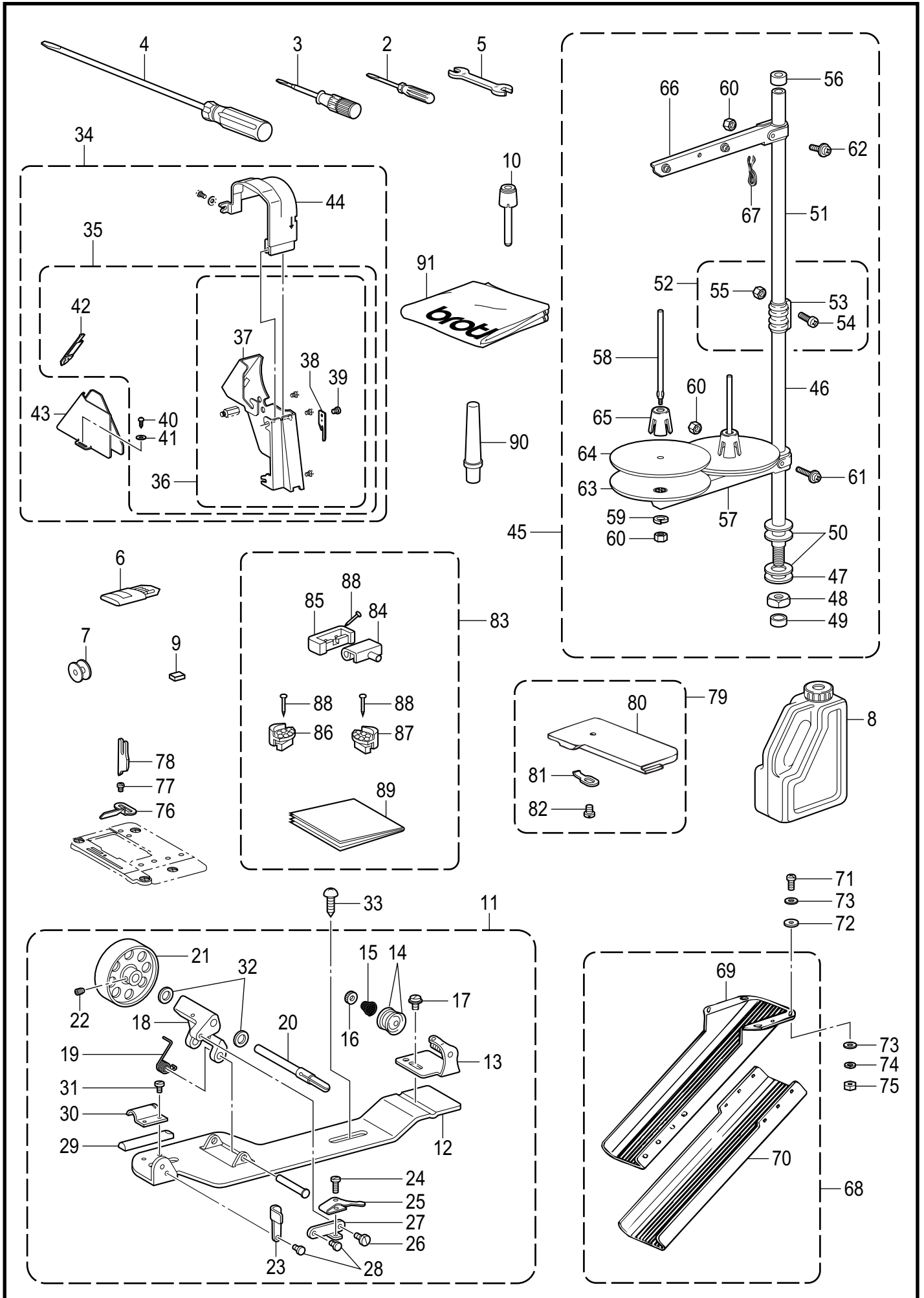


SL-777B-910

Z. 附件 / Accessories

参照号	零部件序号	数量	零部件名称	NAME OF PARTS	RM
1	122991001	1	附属品塑料袋	ACCESSORY BAG	
2	142443021	1	小起子 1.9X52	SCREW-DRIVER, 1.9X52	
3	118837021	1	起子 3.4X70	SCREW-DRIVER, 3.4X70	
4	S17774021	1	大起子 4.7X250	SCREW-DRIVER, 4.7X250	
5	100887021	1	双头扳手 8X9	WRENCH, 8X9	
6	SA1656011	1	<用于欧洲以外> 机针组件 100265	<Except for Europe> NEEDLE 4PIECE ASSY, 100265	
6	SA1656014	1	<用于欧洲> 机针组件 100265	<For Europe only> NEEDLE 4PIECE ASSY, 100265	
7	146290021	3	梭芯	BOBBIN	
8	S35822121	1	油罐	OIL TANK	
9	112525020	1	磁块	MAGNET	
10	S09634020	1	膝控提升顶杆	KNEE LIFTER COMPLYING BAR	
11	S14420220	1	绕线器组件	BOBBIN WINDER ASSY	
12	117964229	1	绕线器基座	B-WINDER BRACKET	
13	117965022	1	绕线架组件	BOBBIN WINDER GUIDE BASE ASSY	
14	145446001	2	夹线盘	DISC, TENSION	
15	100401021	1	夹线弹簧	TENSION SPRING	
16	100136021	1	夹线螺母	TENSION NUT	
17	149168021	1	螺钉 SM4.37	SCREW, W/FLANGE SM4.37	
18	S14422021	1	绕线轴曲柄	BOBBIN WINDER SHAFT SUPPORT	
19	S14423021	1	绕线轴曲柄复位簧	SPRING	
20	S15133021	1	绕线轴	BOBBIN WINDER SHAFT	
21	S14424021	1	绕线轮	BOBBIN WINDER WHEEL	
22	151602022	1	螺钉 SM4.37-40X6	SET SCREW, SM4.37	
23	100656002	1	满线跳板	BOBBIN PRESSER	
24	100657021	1	螺钉 SM3.18-40X14	SCREW, SM3.18-40X14	
25	100658021	1	绕线连杆	BOBBIN PRESSER ARM	
26	100659021	1	螺钉 SM3.18	SHOULDER SCREW, SM3.18	
27	S14426022	1	绕线摆杆	BOBBIN PRESSER BRACKET	
28	100661021	2	铆钉	RIVETING PIN	
29	100662021	1	止动块	BOBBIN WINDER WHEEL STOPPER	
30	100664021	1	止动块固定钩	WHEEL STOPPER HOLDER	
31	S39086021	1	螺钉 SM3.57-40X3.5	SCREW, PAN SM3.57-40X3.5	
32	142711021	2	垫圈 VFS 6.5	WASHER, VFS 6.5	
33	100666022	2	圆头木螺钉 M5.5X20	WOOD SCREW, ROUND M5.5X20	
34	SA6455001	1	皮带罩总组件	BELT COVER UNIT	
35	183658629	1	皮带罩组件 A	BELT COVER ASSY A	
36	S15172229	1	皮带罩	BELT COVER	
37	S14427229	1	皮带罩体	BELT COVER BRACKET	
38	S15164001	1	切刀	KNIFE	
39	062680512	1	螺钉 SM4.37-40X5	SCREW PAN SM4.37-40X5	
40	100666022	2	圆头木螺钉 M5.5X20	WOOD SCREW, ROUND M5.5X20	
41	025750132	2	平垫圈 S5.56	WASHER PLAIN S SM5.56	
42	S37264021	1	皮带罩D盖 S	BELT COVER D LID, S	
43	S14428129	1	皮带罩 D	BELT COVER D	
44	S38590001	1	皮带罩壳 U	BELT COVER, U	
45	S35829021	1	线架组件 2DR	COTTON STAND ASSY 2DR	
46	S36064021	1	线架下撑管 D	COLUMN PIPE, D	
47	150206022	1	平垫圈 16	WASHER PLAIN 16	
48	S36062021	1	六角螺母 M16	NUT M16	
49	S35635020	1	线架上撑管套	COLUMN CAP	
50	S01005020	2	橡皮垫圈	RUBBER WASHER	
51	150172023	1	线架支撑管	COLUMN PIPE	
52	S35828021	1	撑管夹组件	COLUMN JOINT ASSY	
53	150173023	1	撑管夹	COLUMN JOINT	
54	S35826021	2	螺钉 M5X14	SCREW, PAN M5X14	
55	S35827021	2	螺母 M5	NUT, 1 M5	

Z . 附件 / Accessories






SL-777B-910

Z. 附件 / Accessories

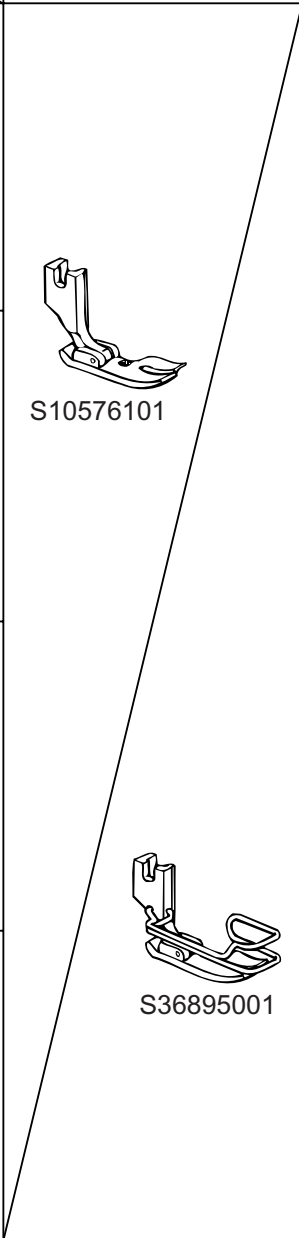
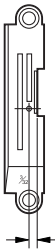
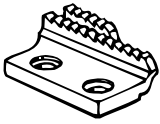
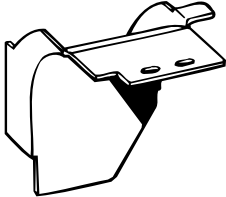
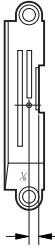
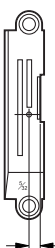
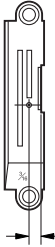
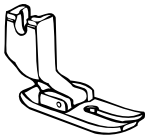
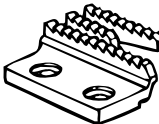
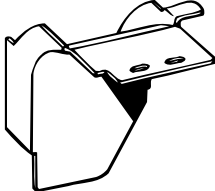
参照号	零部件序号	数量	零部件名称	NAME OF PARTS	RM
56	S35635020	1	线架上撑管套	COLUMN CAP	
57	S02778022	1	插线架 2	SPOOL HOLDER, 2	
58	150179022	2	线轴 B	SPOOL SHAFT B	
59	028050246	2	弹簧垫圈 2-5	WASHER SPRING 2-5	
60	S35827021	4	螺母 M5	NUT, 1 M5	
61	S35831021	1	螺钉组件 M5X30A	SCREW PAN (S/P WASHER) M5X30	
62	S35832021	1	螺钉组件 M5X14A	SCREW PAN (S/P WASHER) M5X14	
63	150180021	2	线盘	SPOOL STAND BASE	
64	150182020	2	线盘软垫	SPOOL MAT	
65	126863021	2	线轴撑架	SPOOL CUSHION	
66	S02786022	1	上过线架2组件	THREAD HANGER ASSY, 2	
67	S02747121	1	弹簧	SPRING	
68	183161209	1	布屑槽组件	DUSTER CHUTE ASSY	
69	148431209	1	布屑槽 L	DUSTER CHUTE, L	
70	148432009	1	布屑槽 S	DUSTER CHUTE, S	
71	062681412	4	螺钉 SM4.37-40X14	SCREW PAN SM4.37-40X14	
72	113691001	4	垫圈	PACKING	
73	025680232	8	平垫圈 M4.37	WASHER PLAIN M SM4.37	
74	028680242	4	弹簧垫圈 2-4.37	WASHER SPRING 2-4.37	
75	021680202	4	螺母 SM4.37-40	NUT 2 SM4.37-40	
76	S10631001	1	碎布屑导向 U	SEWING SCRAPS GUIDE, U	
77	062670412	2	螺钉 SM3.57-40X4	SCREW PAN SM3.57-40X4	
78	S10605201	1	上刀	UPPER KNIFE	
79	S10628001	1	针板罩组件	NEEDLE PLATE COVER ASSY	
80	S10629001	1	针板罩	NEEDLE PLATE COVER	
81	S10630001	1	压板弹簧	SNAP PLATE SPRING	
82	141544001	1	螺钉 SM3.18-40X3	SCREW, SM3.18-40X3	
83	S80028221	1	铰链组件	RUBBER HINGE ASSY	
84	143882021	2	机头铰链	HEAD HINGE	
85	143910029	2	机头铰链套	RUBBER CUSHION	
86	S55367201	2	机头防震垫块	HEAD CUSHION	
87	S55367202	2	机头防震垫块	HEAD CUSHION	
88	109714020	4	钉	NAIL	
89	S92855271	1	使用说明书	INSTRUCTION MANUAL	
90	100477029	1	机头撑杆	HEAD REST	
91	S35732021	1	机头罩	HEAD COVER	

Wa. 警告标签 / Warning labels

警告标签 / Warning labels	零部件名称 / Name of parts	尺寸 / Size(mm)	零部件序号 / Code
	<p>操作注意标签(日 / 英) Label, caution Jpa / Eng</p>	<p>64 X 40</p>	<p>SA2040-001</p>
	<p>操作注意标签(中 / 英) Label, caution Chn / Eng</p>	<p>64 X 40</p>	<p>SA2041-001</p>
	<p>接地标记 Label, grounding</p>	<p>φ 12</p>	<p>S37060-021</p>

SL-777B-Wa

Ga . 工模具一览表 / Gauge parts list

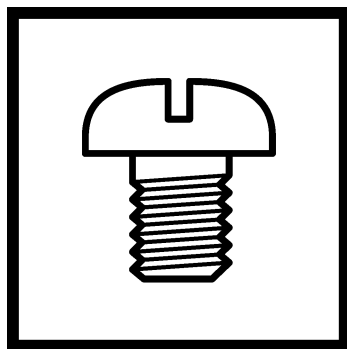
零件名称 Name of parts mm (Inch)	压脚组件 Presser foot assy	针板 Needle plate	送布牙 Feed dog	碎布屑导向 Material guide
2.5 mm (3/32)		 S10569101 2.5 mm	 S10583001	 S10609001
3.2 mm (1/8)		 S10570101 3.2 mm		
4.0 mm (5/32)		 S10571101 4 mm		
4.8 mm (3/16)		 S10572101 4.8 mm		
6.4 mm (1/4)		 113280121		
9.5 mm (3/8)	 S36899021	 S10574101 9.5 mm		

索引 / INDEX

CODE	REF.NO	Page	CODE	REF.NO	Page	CODE	REF.NO	Page	CODE	REF.NO	Page
013760610	B -3	4	081014670	H -16	18	107155001	H -27	18	145476021	C -13	6
	G -11	16	100022004	H -6	18	107407003	G -22	16	145478101	C -14	6
013761410	D -2	8	100080003	D -61	10	108520001	A -9	2	145479022	C -15	6
	G -13	16	100136001	J -37	20	108549001	D -85	10	145481021	C -17	6
013761412	B -23	4	100136021	K -16	22	109173101	H -21	18	145502021	D -46	8
014680432	F -19	14	100242003	F -38	14	109714020	K -88	24	145516021	G -9	16
	H -24	18	100251001	B -9	4	109763022	C -9	6	145519201	J -38	20
014680632	D -9	8		B -16	4	110087021	E -8	12	145522101	J -24	20
	G -16	16	100251021	G -2	16	110367001	B -24	4	145526021	J -21	20
	J -18	20		G -4	16	111466121	C -1	6	145534001	H -25	18
014760632	D -26	8		G -6	16	112467002	H -38	18	145543021	H -44	18
014761030	D -30	8		G -8	16	112525020	K -9	22	145547021	H -45	18
014771032	B -11	4	100260001	F -6	14	112738000	B -21	4	145624000	B -20	4
021680202	K -75	24		F -29	14	113280121	Ga	26	145688000	B -42	4
021750302	F -18	14		F -31	14	113691001	K -72	24	145737021	H -47	18
025060332	D -89	10	100265031	B -29	4	113784000	F -13	14	145992001	C -25	6
025100132	D -42	8	100265034	B -29	4	114294001	J -41	20	146036121	H -2	18
025350132	C -23	6	100289003	B -27	4	114561001	B -36	4	146039021	E -2	12
025680232	K -73	24		F -40	14	114931001	J -17	20	146040001	H -11	18
025750132	K -41	22		F -42	14	114967021	E -7	12	146196001	H -48	18
028050246	K -59	24	100328001	D -47	8	116794001	H -26	18	146253000	H -50	18
028350242	F -45	14	100367001	G -21	16	116922001	J -33	20	146290021	G -25	16
028680242	K -74	24	100400020	J -19	20	117964229	K -12	22		K -7	22
047200642	D -78	10	100401021	K -15	22	117965022	K -13	22	146293001	H -8	18
048040342	C -12	6	100402004	J -40	20	118217021	D -67	10	146327001	B -12	4
048060342	D -21	8	100463001	E -3	12	118734021	D -24	8	146331021	B -4	4
048070342	D -29	8	100477029	K -90	24	118735021	D -25	8	146333021	B -13	4
048080342	D -43	8	100573001	J -31	20	118758021	D -75	10	146367021	H -4	18
048150142	D -51	8	100645003	A -13	2	118761021	G -15	16	147326021	B -26	4
	D -65	10	100656002	K -23	22	118837021	K -3	22	147504221	D -41	8
060660604	F -26	14	100657021	K -24	22	118853001	F -3	14	147505101	D -40	8
060670612	J -30	20	100658021	K -25	22	120990001	D -59	8	147509021	D -73	10
060710712	F -46	14	100659021	K -26	22	121007001	G -18	16	147514001	C -5	6
062670412	D -80	10	100661021	K -28	22	122771051	B -37	4	147763121	B -15	4
	K -77	24	100662021	K -29	22	122991001	K -1	22	148431209	K -69	24
062670612	B -43	4	100664021	K -30	22	126863021	K -65	24	148432009	K -70	24
	H -53	18	100666022	K -33	22	140004001	B -19	4	148764001	J -8	20
062670616	H -46	18		K -40	22	140518021	H -12	18	148849001	H -33	18
062670712	D -45	8	100887021	K -5	22	140553102	B -30	4	149168021	K -17	22
062670812	H -35	18	101487000	H -18	18	140726020	B -2	4	149578000	H -10	18
	J -16	20	101706001	D -53	8	141208021	C -4	6	150172023	K -51	22
062671212	J -28	20		G -20	16	141544001	K -82	24	150173023	K -53	22
062671412	F -44	14	102630021	B -31	4	142443021	K -2	22	150179022	K -58	24
062680512	K -39	22	102707002	H -54	18	142708020	G -10	16	150180021	K -63	24
062680812	A -12	2	102716004	J -15	20	142711021	K -32	22	150182020	K -64	24
	H -41	18	104449001	A -5	2	142746022	D -86	10	150206022	K -47	22
	J -23	20		J -4	20	143882021	K -84	24	150384101	C -22	6
	J -27	20	104450101	A -6	2	143910029	K -85	24	151267001	B -34	4
062681012	A -4	2		A -11	2	144458001	D -13	8		B -41	4
062681212	D -55	8	104451101	A -10	2	144502001	J -12	20	151308121	D -31	8
062681412	D -68	10	104464001	B -10	4	144504001	J -13	20		D -35	8
	K -71	24	104520020	G -17	16	144505000	J -14	20	151317021	D -88	10
062711012	F -10	14	104525101	J -36	20	144869102	H -32	18	151602022	K -22	22
062711212	D -15	8	104564001	D -44	8	144872121	H -40	18	151604001	D -77	10
	D -72	10	104619022	E -5	12	144874001	H -34	18		F -2	14
062711412	D -34	8	104689002	D -74	10	144875001	H -36	18	153138001	J -9	20
	D -39	8	104821001	A -8	2	144876001	H -37	18	154347001	C -21	6
062760812	A -14	2	104829121	A -1	2	144878001	H -39	18	154574001	F -21	14
062782512	D -90	10	104830121	A -2	2	145446001	J -34	20	156220001	B -32	4
081001670	H -19	18	104832001	A -7	2		K -14	22	156244020	D -54	8
081004070	H -51	18	104885121	H -5	18	145465001	B -18	4	156308301	H -9	18
081007070	H -13	18	105288001	F -36	14	145471129	B -38	4	156948021	D -4	8
081009070	F -34	14	106436001	H -22	18	145472021	C -2	6	156949021	D -3	8

CODE	REF.NO	Page	CODE	REF.NO	Page	CODE	REF.NO	Page	CODE	REF.NO	Page
156950220	D -7	8	S07959001	F -9	14	S13385001	C -7	6	S47264001	D -36	8
156951021	D -8	8	S08003000	H -56	18	S14420220	K -11	22	S47265001	D -17	8
156952021	D -10	8	S08004021	H -57	18	S14422021	K -18	22		D -22	8
156954021	D -11	8	S09212021	D -70	10	S14423021	K -19	22	S55367201	K -86	24
156956021	D -12	8	S09634020	K -10	22	S14424021	K -21	22	S55367202	K -87	24
156957120	D -14	8	S09635021	H -3	18	S14426022	K -27	22	S55431001	D -5	8
156958021	D -16	8	S10566021	B -17	4	S14427229	K -37	22	S55976001	J -20	20
156966121	D -20	8	S10567001	B -28	4	S14428129	K -43	22	S56254001	J -39	20
156967121	D -23	8	S10569101	Ga	26	S15133021	K -20	22	S56257101	J -32	20
156969121	D -27	8	S10570101	Ga	26	S15164001	K -38	22	S58910001	J -26	20
156970021	D -28	8	S10571101	Ga	26	S15172229	K -36	22	S80028221	K -83	24
157969021	A -15	2	S10572101	Ga	26	S15889021	H -7	18	S92855271	K -89	24
158722021	D -58	8	S10573101	Ga	26	S16252001	F -41	14	SA1656011	K -6	22
158727001	B -22	4	S10574101	Ga	26	S17774021	K -4	22	SA1656014	K -6	22
159690021	D -79	10	S10575001	B -40	4	S19056001	J -25	20	SA1706001	G -23	16
159805001	J -35	20	S10576101	Ga	26	S21514121	D -84	10	SA2040001	A -16	2
159998121	C -10	6	S10581001	C -24	6	S25349021	D -57	8		Wa	25
180018151	B -35	4	S10582001	B -25	4	S31006021	C -18	6	SA2041001	A -16	2
180322021	D -66	10	S10583001	Ga	26	S31010021	C -16	6		Wa	25
180885021	G -5	16	S10584001	Ga	26	S31012021	C -3	6	SA6455001	K -34	22
180886021	G -7	16	S10586001	F -1	14	S31013021	C -26	6	SA6559001	B -5	4
180891021	G -1	16	S10587000	F -4	14	S31014020	D -49	8			
180892021	G -3	16	S10588001	F -5	14		D -63	10			
181916121	B -14	4	S10589001	F -7	14	S31015021	D -81	10			
181995021	G -19	16	S10590001	F -8	14	S31016001	D -83	10			
183161209	K -68	24	S10591001	F -11	14	S31026020	G -12	16			
183493021	D -52	8	S10593001	F -12	14	S31027020	G -26	16			
	D -69	10	S10594001	F -14	14	S31885001	E -9	12			
183528121	H -1	18	S10595001	F -15	14	S31952021	C -20	6			
183658629	K -35	22	S10597001	F -16	14	S32348001	H -31	18			
183850101	H -30	18	S10598001	F -17	14	S32349001	H -43	18			
224485000	D -50	8	S10600001	F -20	14	S33689002	B -39	4			
	D -64	10	S10601001	F -22	14	S34756021	E -6	12			
412046004	H -17	18	S10602001	F -23	14	S35635020	K -49	22			
S01005020	K -50	22	S10603001	F -24	14		K -56	24			
S01020022	C -8	6	S10604001	F -25	14	S35732021	K -91	24			
S01676121	D -87	10	S10605201	F -27	14	S35820021	E -4	12			
S01998001	C -11	6		K -78	24	S35821021	E -1	12			
S02525001	B -7	4	S10606001	F -28	14	S35822121	K -8	22			
S02526000	B -8	4	S10607001	F -30	14	S35826021	K -54	22			
S02552021	D -1	8	S10608001	F -32	14	S35827021	K -55	22			
S02558201	D -37	8	S10609001	Ga	26		K -60	24			
S02568121	D -48	8	S10610001	F -37	14	S35828021	K -52	22			
S02569121	D -56	8	S10611001	J -5	20	S35829021	K -45	22			
S02574101	D -62	10	S10612001	J -6	20	S35831021	K -61	24			
S02575020	D -71	10	S10613001	J -7	20	S35832021	K -62	24			
S02576021	D -76	10	S10614001	Ga	26	S36062021	K -48	22			
S02606020	H -15	18	S10615001	F -39	14	S36064021	K -46	22			
S02617001	J -29	20	S10617001	F -43	14	S36895001	Ga	26			
S02747121	K -67	24	S10618000	J -3	20	S36899021	Ga	26			
S02778022	K -57	24	S10619001	H -49	18	S37060021	A -17	2			
S02786022	K -66	24	S10621001	H -52	18		Wa	25			
S02805001	B -1	4	S10622000	J -11	20	S37264021	K -42	22			
S03247009	A -3	2	S10623009	J -10	20	S38590001	K -44	22			
S03249000	H -14	18	S10624009	J -2	20	S39051001	C -19	6			
S03592020	H -42	18	S10625001	J -22	20	S39086021	K -31	22			
S04226009	D -38	8	S10626009	J -1	20	S40016001	H -29	18			
S04228001	D -19	8	S10628001	K -79	24	S40017000	H -28	18			
S04630000	H -20	18	S10629001	K -80	24	S40027021	D -18	8			
S05898121	D -6	8	S10630001	K -81	24	S40029120	D -33	8			
S06573001	G -24	16	S10631001	K -76	24	S43394021	B -6	4			
S06684021	H -23	18	S10633001	G -14	16	S43669000	H -55	18			
S06999021	D -82	10	S10634001	F -33	14	S47264001	D -32	8			

brother®



零件手册
PARTS BOOK

兄弟工业株式会社 <http://www.brother.com/>

日本国，名古屋市瑞穂区苗代町15番1号 邮编：467-8561 电话：81-52-824-2177

BROTHER INDUSTRIES, LTD. <http://www.brother.com/>

15-1, Naeshiro-cho, Mizuho-ku, Nagoya 467-8561, Japan. Phone : 81-52-824-2177

SL-777B
SA6461-001
2005.06.BC (1)